

GASKET SPRING

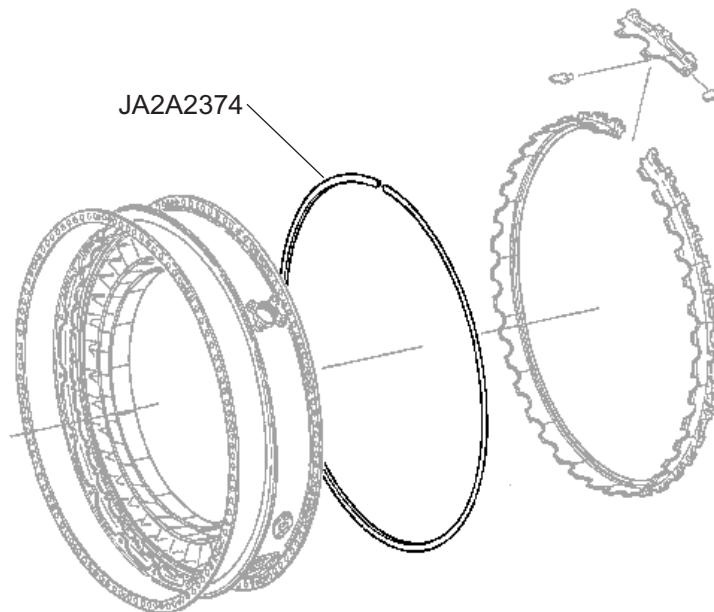
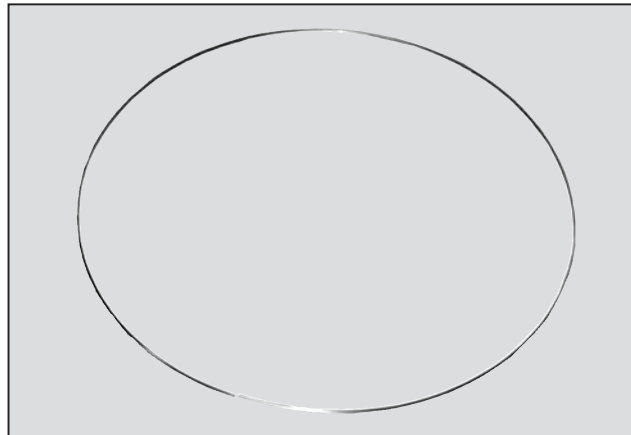
Jet Avion Part Number JA2A2374

International Aero Engines Part Number 2A2374

Model Eligibility:
See FAA/PMA Supplement

IPC Reference:
V2500-72-45

Quantity Per Engine:
1



Engine Location:
Second Stage HPT Duct Segment

