

HEICO

PIN

DEC Technologies Part Number: DEC47-005-501

International Aero Engines Part Number: 5A1821

Eligibility:

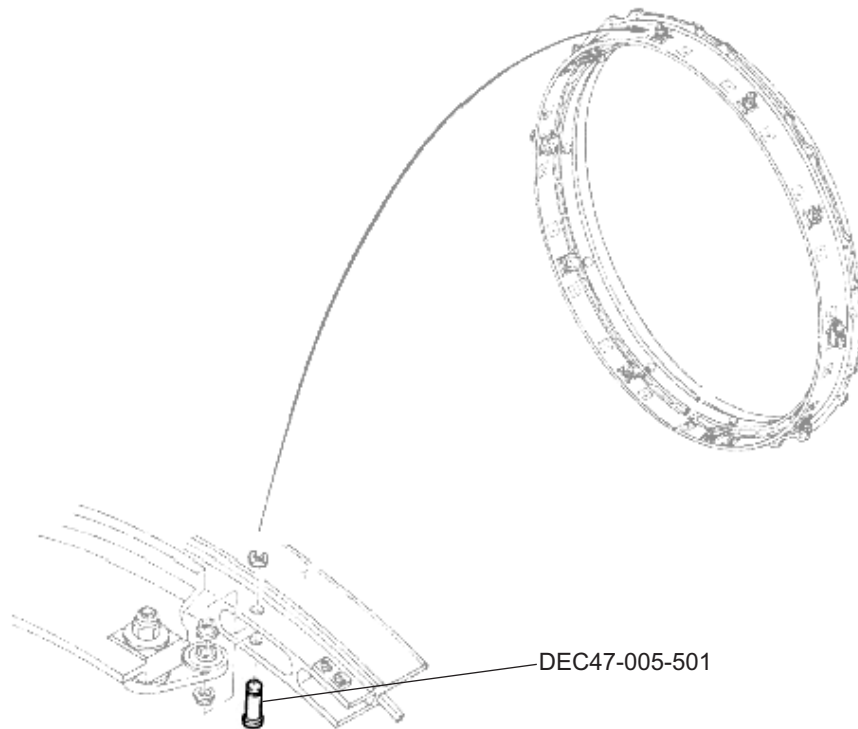
[See FAA PMA Supplement](#)

IPC Reference:

V2500-72-32

Quantity:

8



Location:

Booster Stage Bleed Valve Actuating Mechanism