

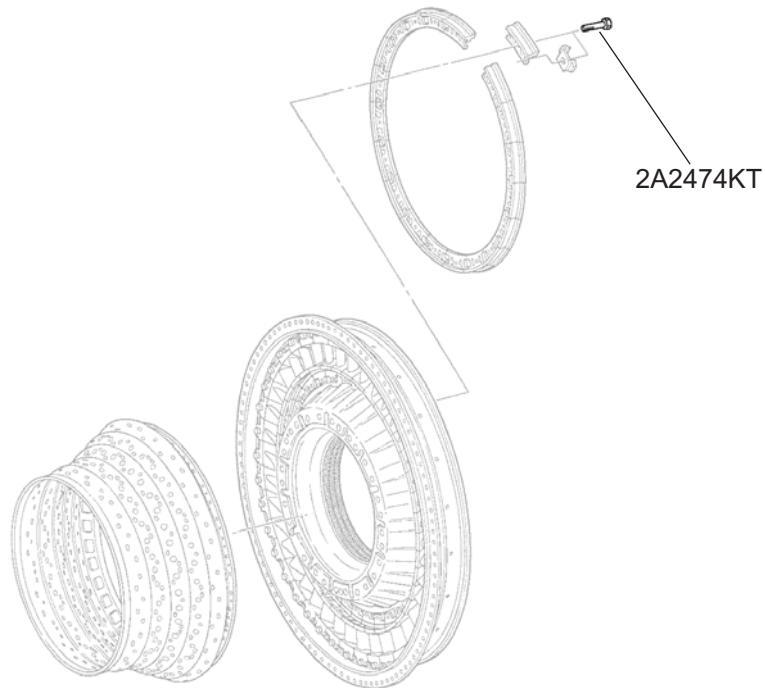
BOLT, MACHINE

Turbine Kinetics Part Number 2A2474KT
International Aero Engines Part Number 2A2474

Eligibility:
[See FAA/PMA Supplement](#)

IPC Reference:
V2500-72-44

Quantity:
40



Location:
Stage 1 HP Turbine Duct Segment

