

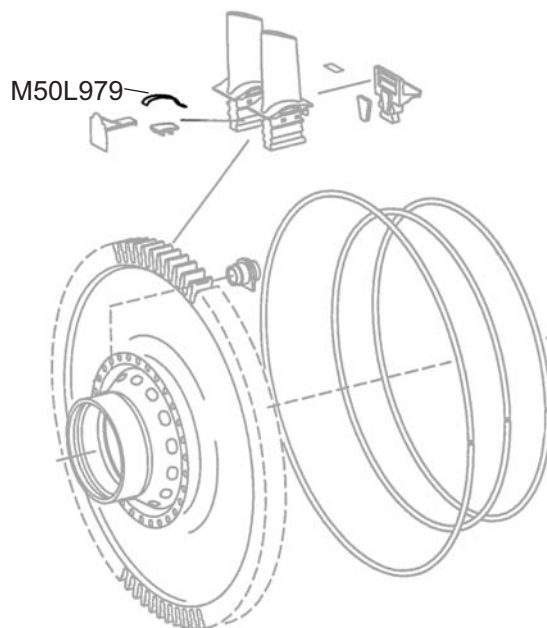
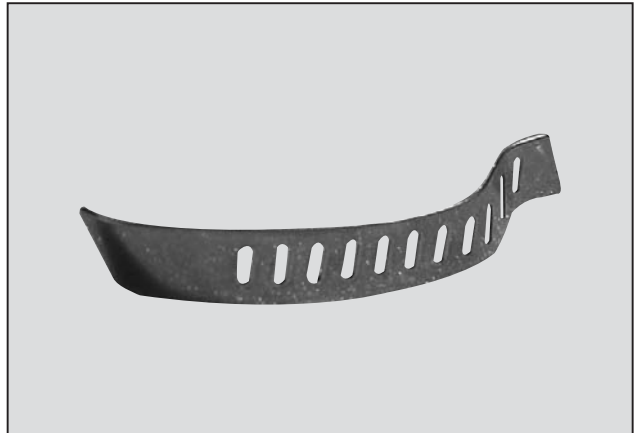
SEAL-HP

Jet Avion Part Number M50L979
Pratt & Whitney Part Number 50L979

Engine Eligibility:
[See FAA/PMA Supplement Index](#)

IPC Reference:
PW4000-72-52

Quantity Per Engine:
82



Engine Location:
High Pressure Turbine Group

