

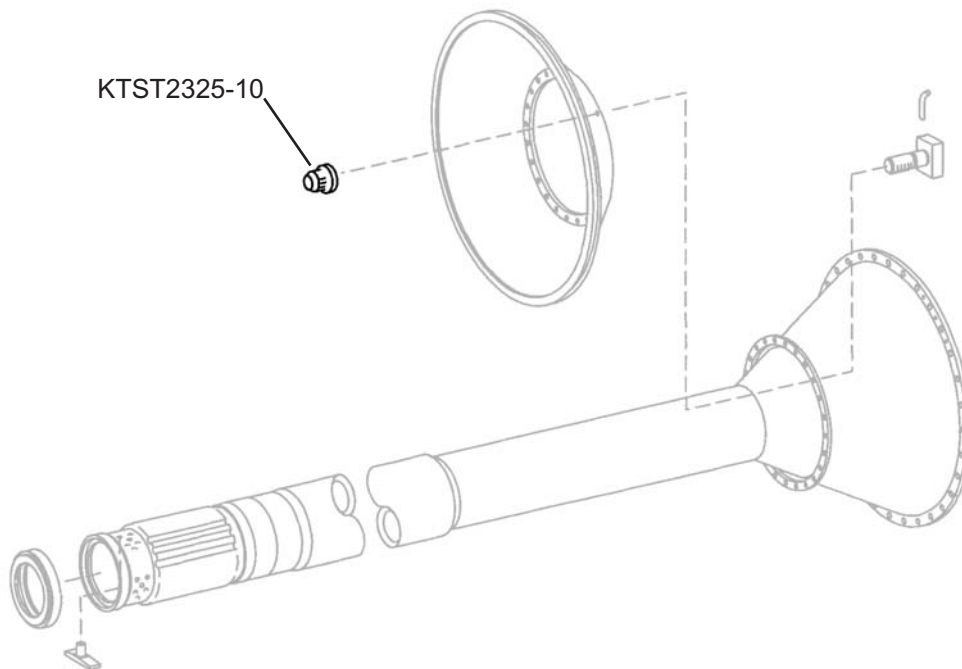
## NUT

**Turbine Kinetics Part Number KTST2325-10**  
**Pratt & Whitney Part Number ST2325-10**

**Engine Eligibility:**  
[See FAA/PMA Supplement Index](#)

**IPC Reference:**  
PW4000-72-53

**Quantity Per Engine:**  
144



**Engine Location:**  
Low Pressure  
Turbine Group

