

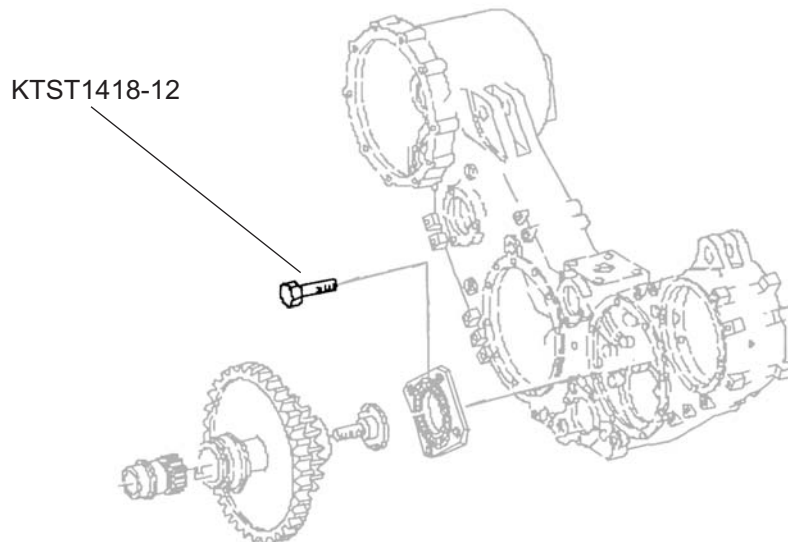
BOLT-MACH, HEX

Turbine Kinetics Part Number KTST1418-12
Pratt & Whitney Part Number ST1418-12

Engine Eligibility:
[See FAA/PMA Supplement Index](#)

IPC Reference:
PW4000-72-61, 79-11

Quantity Per Engine:
53



Engine Location:
Drive-Starter. Strainer Element

