

BOLT

Turbine Kinetics Part Number KTST1411-08

Pratt & Whitney Part Number ST1411-08

Engine Eligibility:

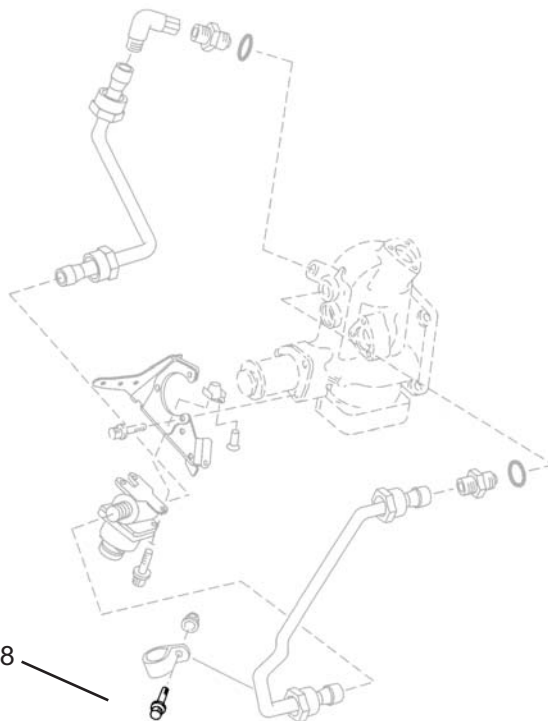
[See FAA/PMA Supplement](#)

IPC Reference:

PW4000-79-21
PW4000-72-00
PW4000-77-11
PW4000-80-11

Quantity Per Engine:

89 to 1328



KTST1411-08

Engine Locations:

Engine
Engine Oil
Engine Indication
Engine Starting

