

## BOLT-MACH, DH

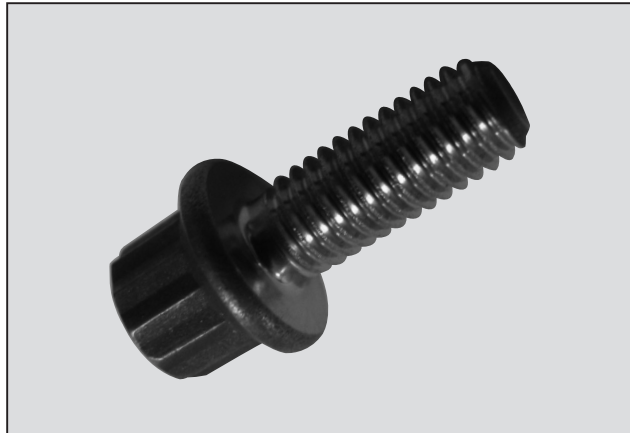
Turbine Kinetics Part Number KTST1411-06  
Pratt & Whitney Part Number ST1411-06

**Eligibility:**

[See FAA/PMA Supplement](#)

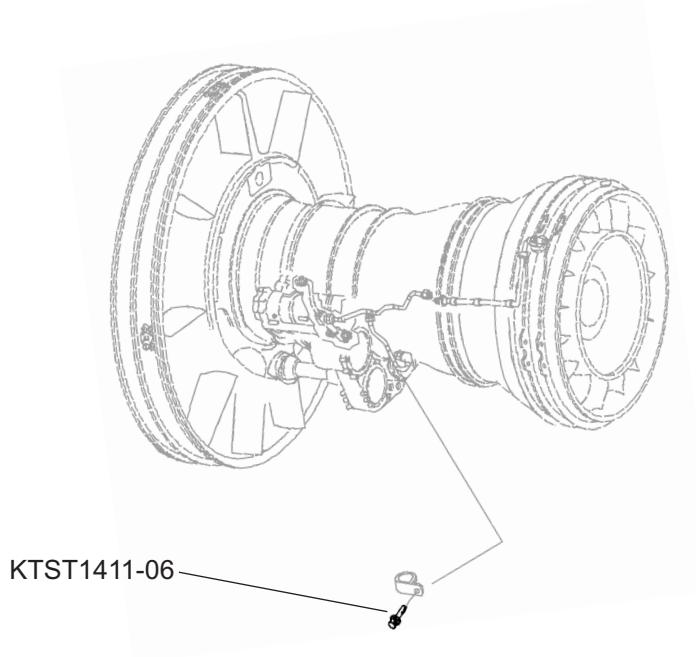
**IPC Reference:**

PW4000-26-21, PW4000-29-11, PW4000-30-21  
PW4000-36-11, PW4000-71-71, PW4000-72-33  
PW4000-72-34, PW4000-72-41, PW4000-72-61  
PW4000-73-21, PW4000-73-23, PW4000-75-22  
PW4000-75-23, PW4000-75-24, PW4000-75-25  
PW4000-75-26, PW4000-75-32, PW4000-77-13  
PW4000-79-11, PW4000-79-21, PW4000-79-22  
PW4000-79-33  
JT8D-73-21



**Quantity:**

From 6 to 92



**Location:**

Tubes and Manifolds - Pressure