

PIN

Turbine Kinetics Part Number KTST1409-05
Pratt & Whitney Part Number ST1409-05

Engine Eligibility:

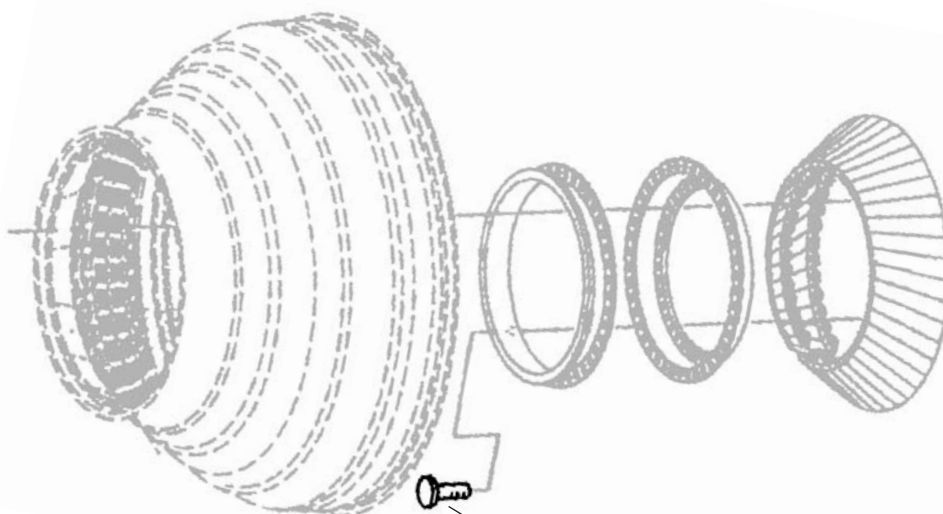
[See FAA-PMA Supplement Index](#)

IPC Reference:

PW4000-72-53

Quantity Per Engine:

34 to 42



KTST1409-05

Engine Location:

Rotor and Stator-LPT

