

## BOLT

Turbine Kinetics Part Number KTST1345-11  
Pratt & Whitney Part Number ST1345-11

**Engine Eligibility:**

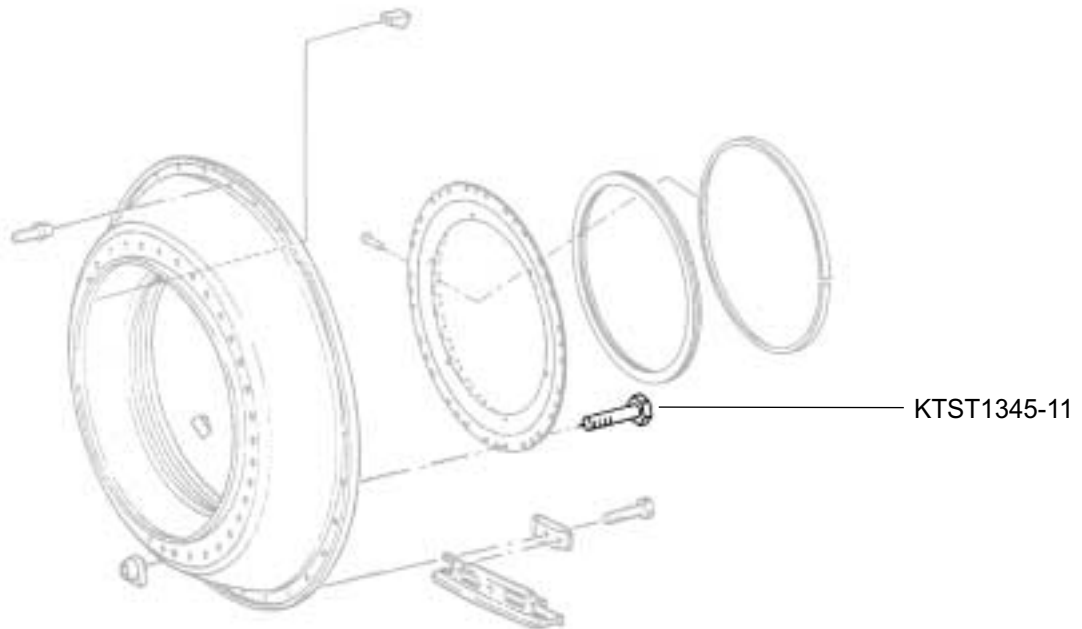
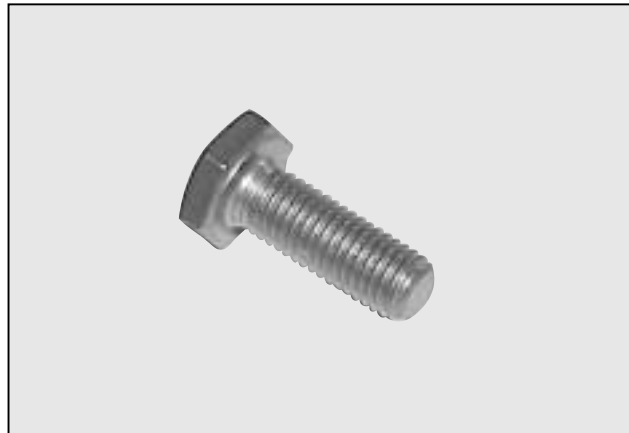
[See FAA/PMA Supplement Index](#)

**IPC Reference:**

PW4000-72-51  
PW4000-72-52

**Quantity Per Engine:**

24



**Engine Location:**

High Pressure Turbine Group

