

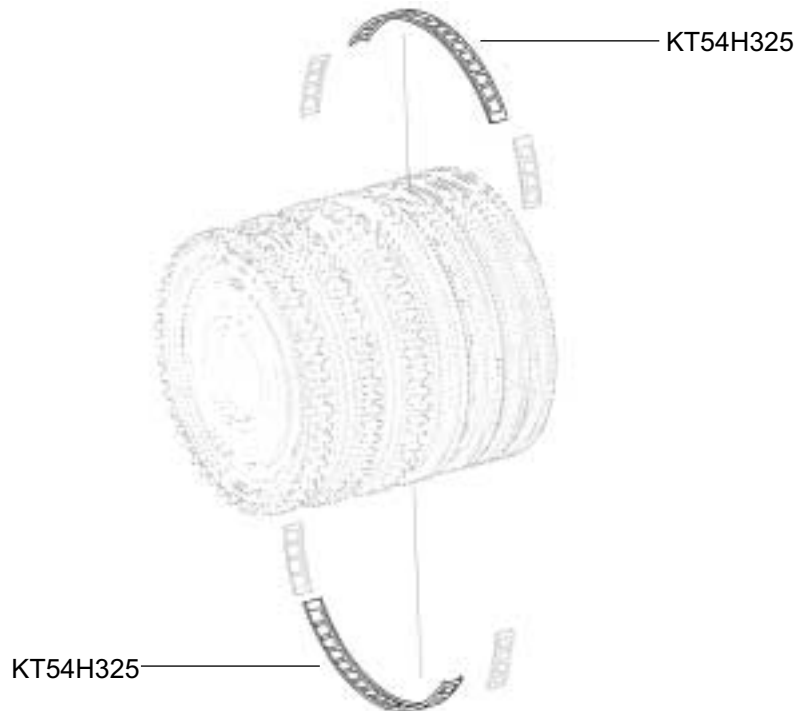
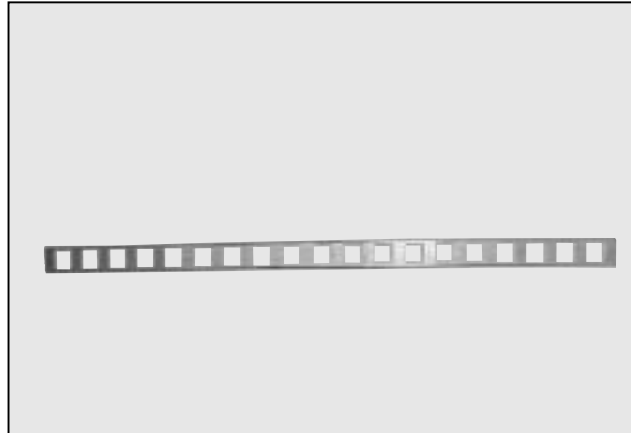
## SEAL

Turbine Kinetics Part Number KT54H325  
Pratt & Whitney Part Number 54H325

**Engine Eligibility:**  
[See FAA/PMA Supplement](#)

**IPC Reference:**  
PW4000-72-35

**Quantity Per Engine:**  
2



**Engine Location:**  
Rear Compressor (HPC)  
Rotor and Stator Group

