

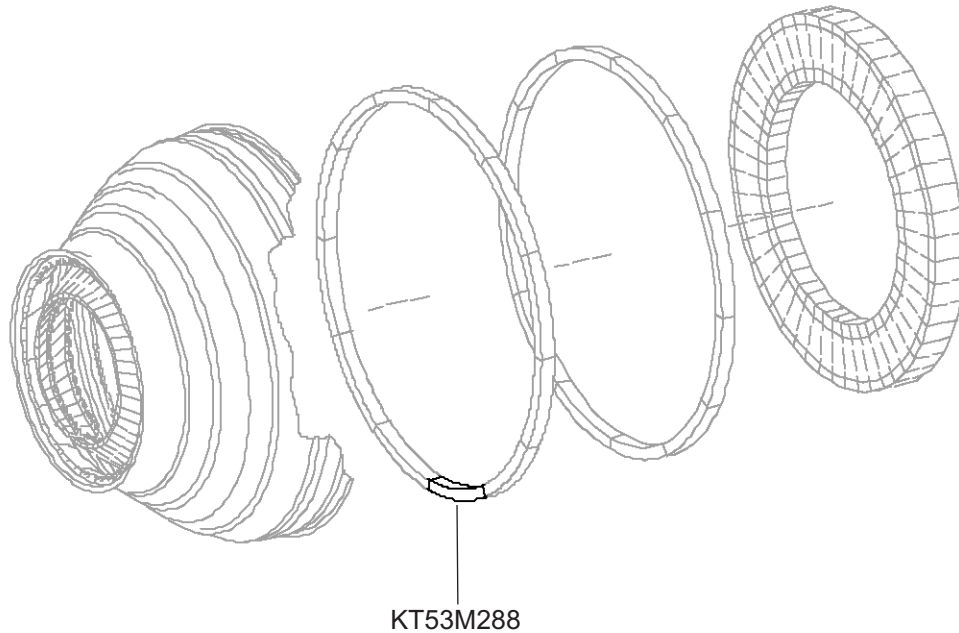
INSULATION SEGMENT-7 STG

Turbine Kinetics Part Number KT53M288
Pratt & Whitney Part Number 53M288

Eligibility:
[See FAA-PMA Supplement](#)

IPC Reference:
PW4000-72-53

Quantity:
1



Location:
Rotor and Stator-Low Pressure Turbine

