

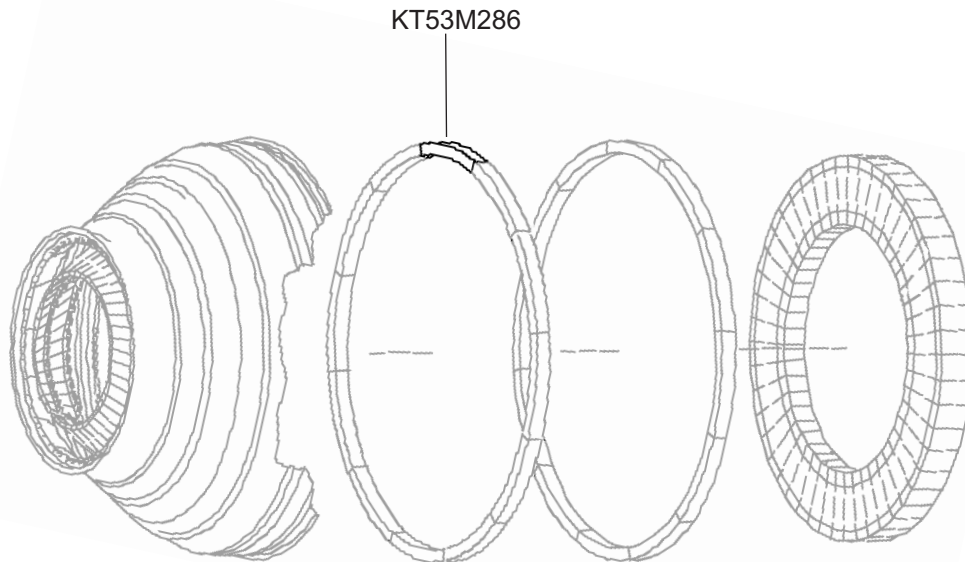
## INSULATION SEGMENT-7 STG

Turbine Kinetics Part Number KT53M286  
Pratt & Whitney Part Number 53M286

**Eligibility:**  
[See FAA-PMA Supplement](#)

**IPC Reference:**  
PW4000-72-53

**Quantity:**  
1



**Location:**  
Rotor and Stator-Low Pressure Turbine

