

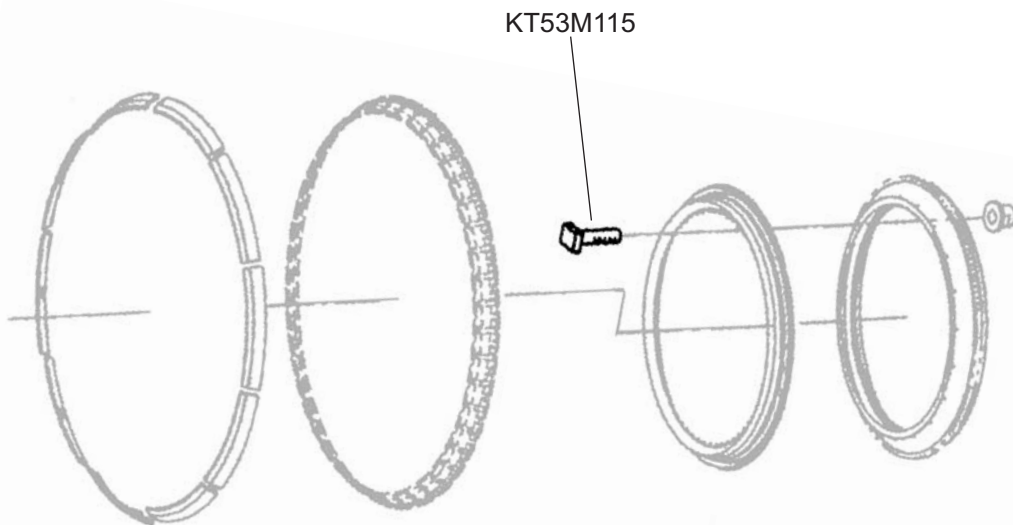
BOLT-CLOSE TOLERANCE, TEE HD

Turbine Kinetics Part Number KT53M115
Pratt & Whitney Part Number 53M115

Engine Eligibility:
[See FAA/PMA Supplement Index](#)

IPC Reference:
PW4000-72-53

Quantity Per Engine:
60



Engine Location:
Rotor and Stator-LPT

