

## BOLT-CLOSE TOLERANCE, TEE HEAD

Turbine Kinetics Part Number KT53M114

Pratt & Whitney Part Number 53M114

**Engine Eligibility:**

[See FAA-PMA Supplement Index](#)

**IPC Reference:**

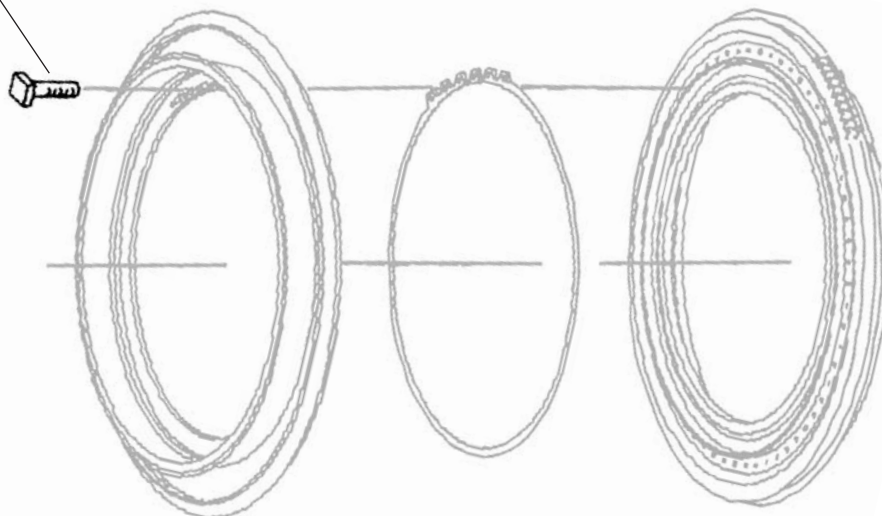
PW4000-72-53

**Quantity Per Engine:**

up to 60



KT53M114



**Engine Location:**

Rotor and Stator-LPT

