

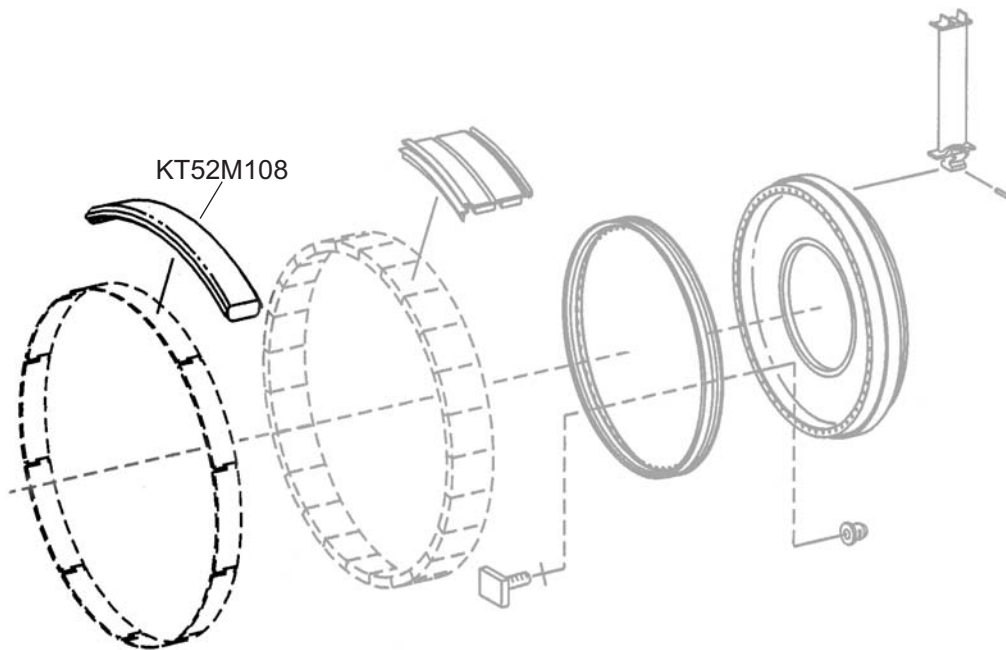
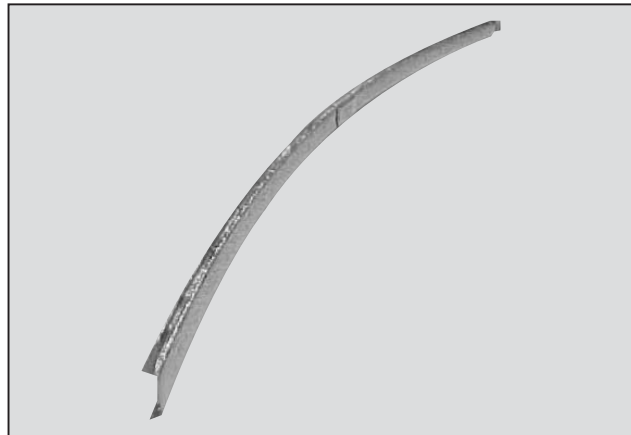
## SHIELD, HEAT

Turbine Kinetics Part Number KT52M108  
Pratt & Whitney Part Number 52M108

**Model Eligibility:**  
See FAA/PMA Supplement

**IPC Reference:**  
PW4000-72-53

**Quantity Per Engine:**  
1 to 10



**Engine Location:**  
Low Pressure Turbine Group

