

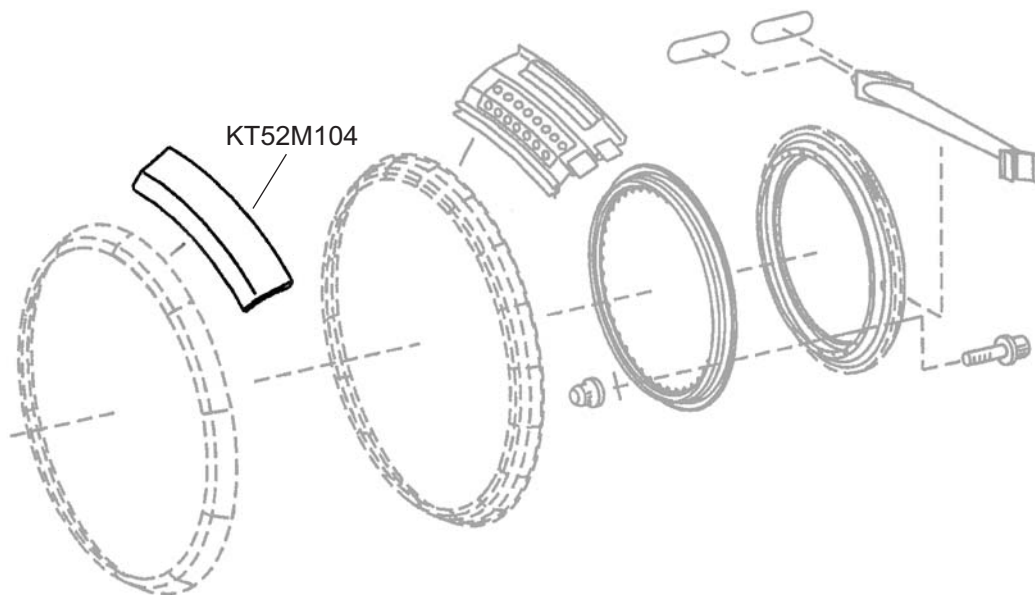
SHIELD, HEAT

Turbine Kinetics Part Number KT52M104
Pratt & Whitney Part Number 52M104

Model Eligibility:
See FAA/PMA Supplement

IPC Reference:
PW4000-72-53

Quantity Per Engine:
12



Engine Location:
Low Pressure Turbine Group

