

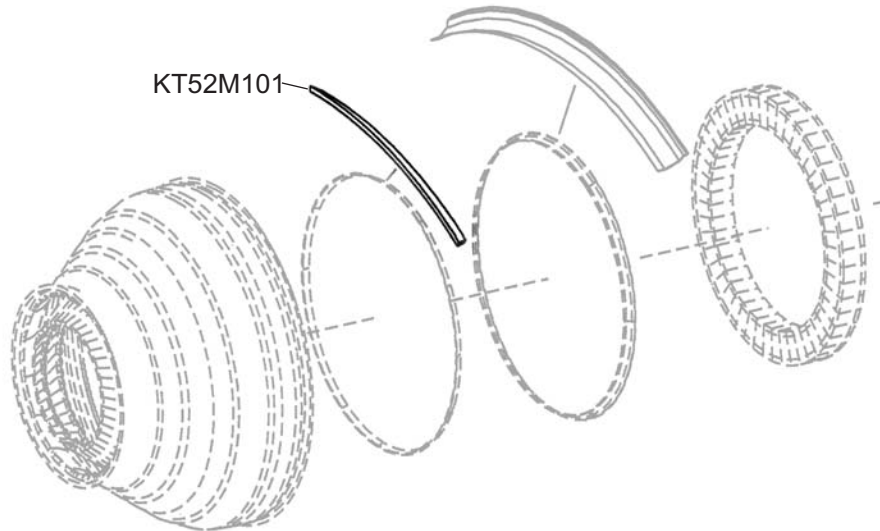
## SHIELD, HEAT

Turbine Kinetics Part Number KT52M101  
Pratt & Whitney Part Number 52M101

**Model Eligibility:**  
See FAA/PMA Supplement

**IPC Reference:**  
PW4000-72-53

**Quantity Per Engine:**  
1



**Engine Location:**  
Low Pressure Turbine Group

