

## NUT

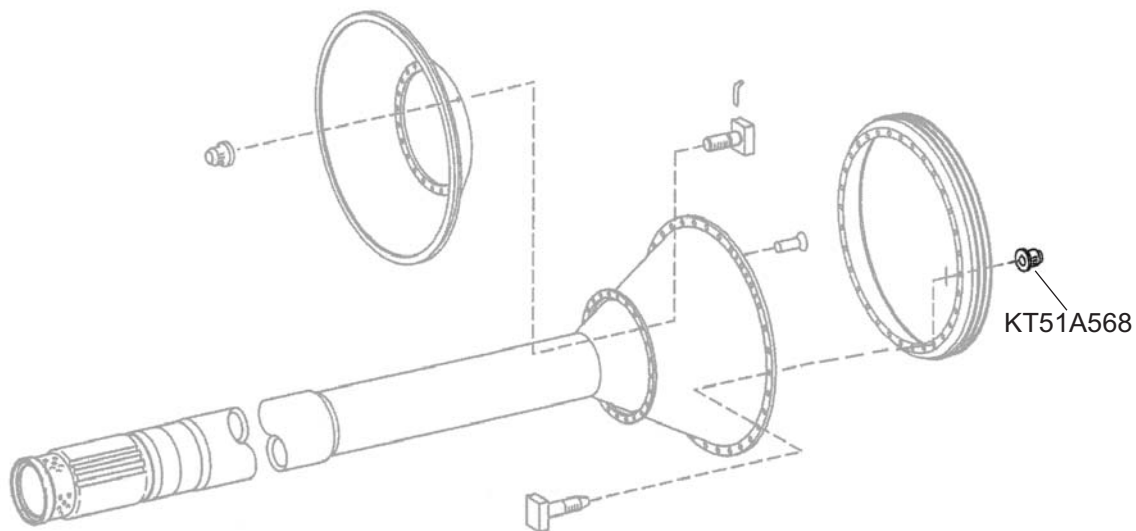
Turbine Kinetics Part Number KT51A568

Pratt & Whitney Part Number 51A568

**Model Eligibility:**  
See FAA/PMA Supplement

**IPC Reference:**  
PW4000-72-53

**Quantity Per Engine:**  
32



**Engine Location:**  
Low Pressure Turbine Group

