

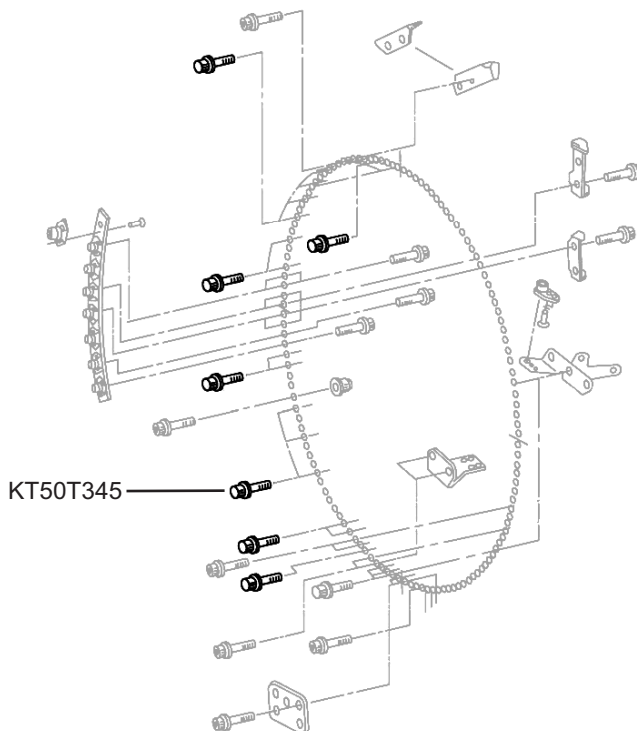
BOLT-SHLDR, DH

Turbine Kinetics Part Number KT50T345
Pratt & Whitney Part Number 50T345

Eligibility:
[See FAA/PMA Supplement](#)

IPC Reference:
PW4000-72-00

Quantity:
From 35 to 101



Location:
Brackets-P Flange

