

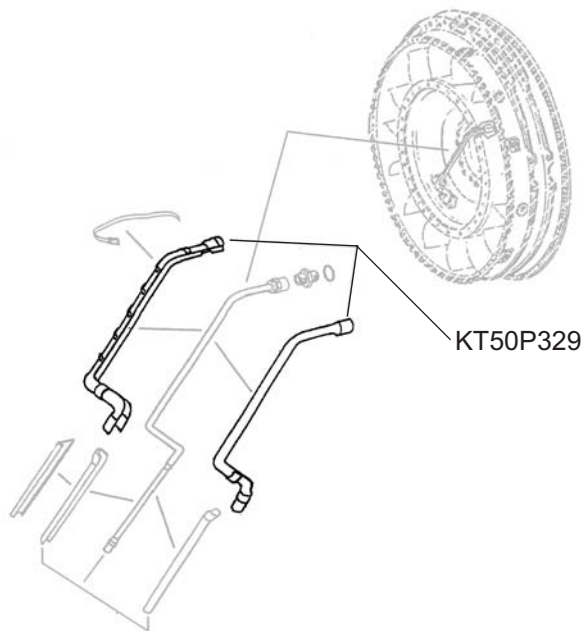
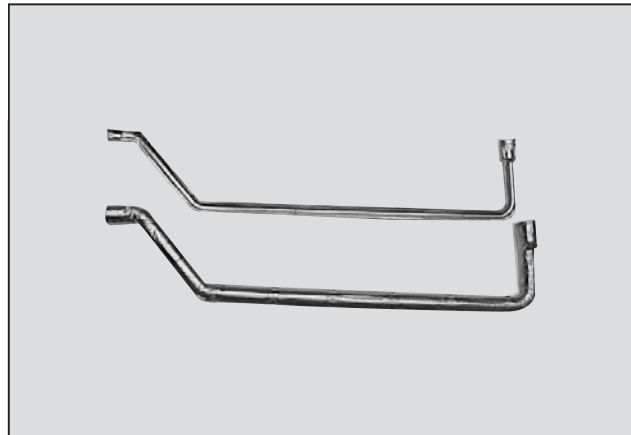
SHIELD, HEAT ASSY

Turbine Kinetics Part Number KT50P329
Pratt & Whitney Part Number 50P329

Model Eligibility:
See FAA/PMA Supplement

IPC Reference:
PW4000-72-54

Quantity Per Engine:
1



Engine Location:
Turbine Exhaust Case Group

