

TUBE

Turbine Kinetics Part Number KT50J916

Pratt & Whitney Part Number 50J916

Engine Eligibility:

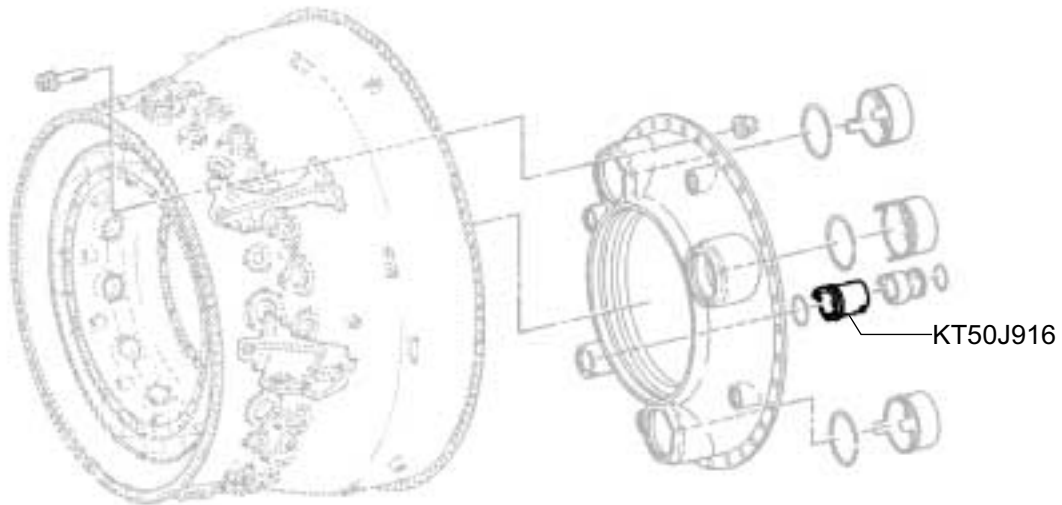
[See FAA/PMA Supplement](#)

IPC Reference:

PW4000-72-41

Quantity Per Engine:

1



Engine Location:

Diffuser and Combustion Group

