

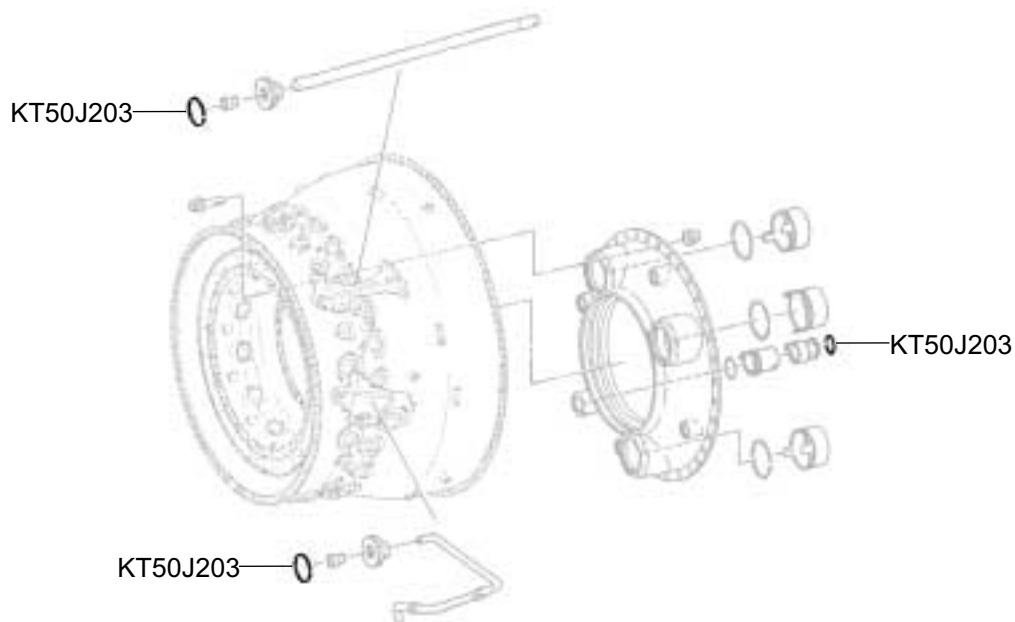
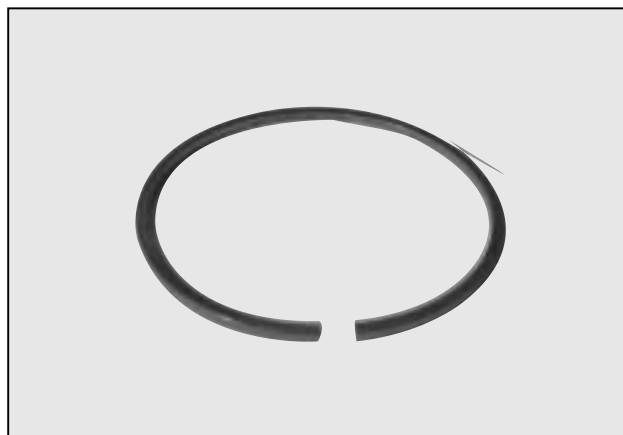
SEAL RING

Turbine Kinetics Part Number KT50J203, P5, P10, P15, P20
Pratt & Whitney Part Number 50J203, P5, P10, P15, P20

Engine Eligibility:
[See FAA/PMA Supplement](#)

IPC Reference:
PW4000-72-41

Quantity Per Engine:
5 to 9



Engine Location:
Diffuser and Combustion Group

