

BOLT

Turbine Kinetics Part Number KT1A4766

Pratt & Whitney Part Number 1A4766

Engine Eligibility:

[See FAA/PMA Supplement Index](#)

IPC Reference:

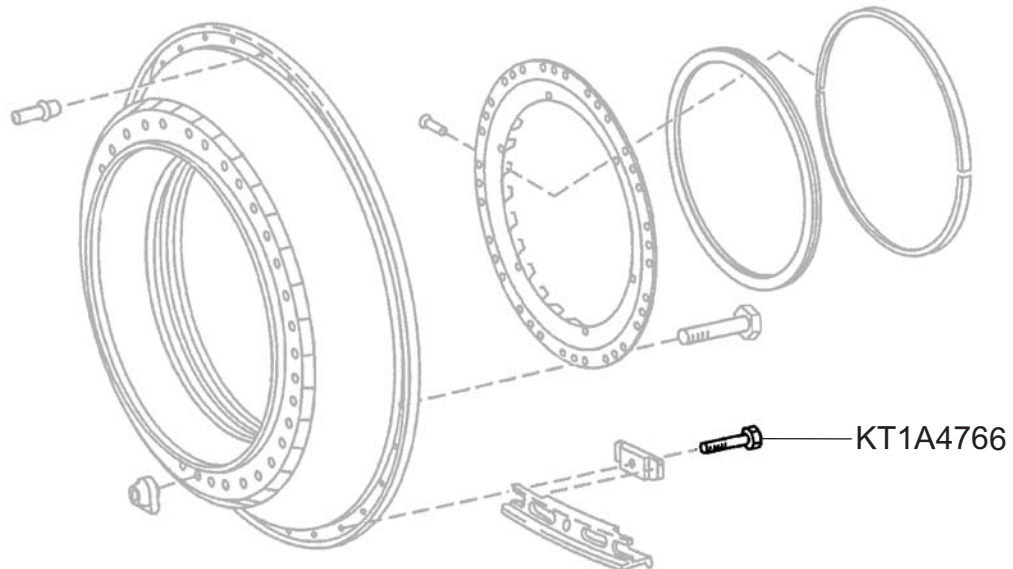
PW4000-72-51 (94")

PW4000-72-51 (100")

PW4000-72-51 (112")

Quantity Per Engine:

34



Engine Location:
HIGH PRESSURE
TURBINE GROUP

