

SEAL

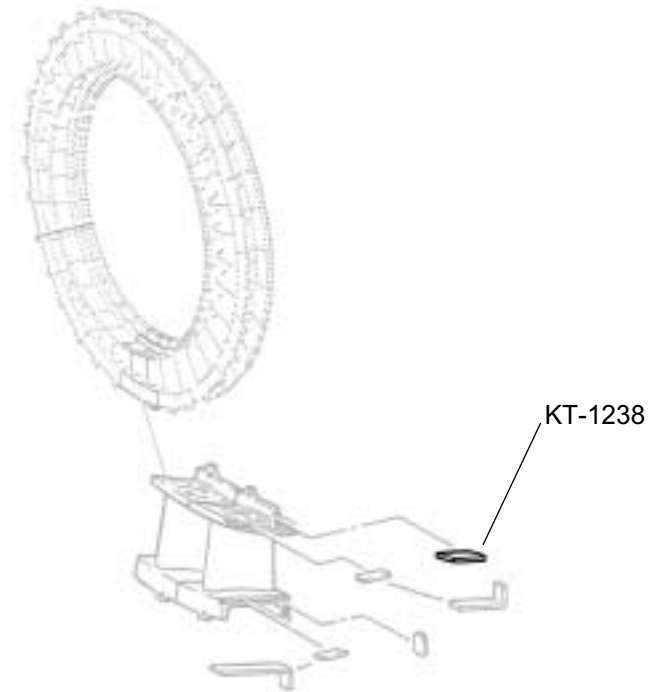
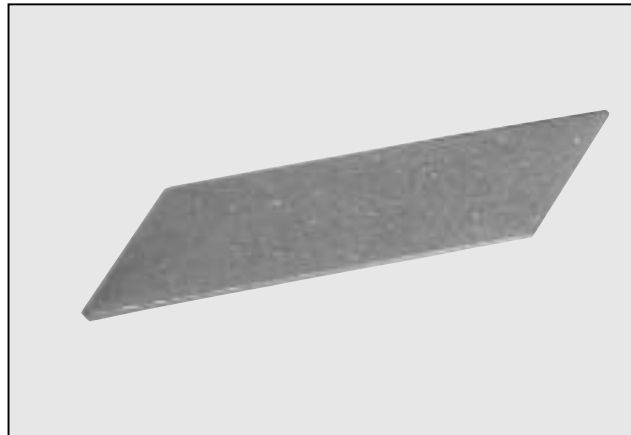
Turbine Kinetics Part Number KT-1238

Pratt & Whitney Part Number 50K187

Engine Eligibility:
[See FAA/PMA Supplement](#)

IPC Reference:
PW4000-72-51

Quantity Per Engine:
17



Engine Location:
Turbine Nozzle Group

