

SEAL

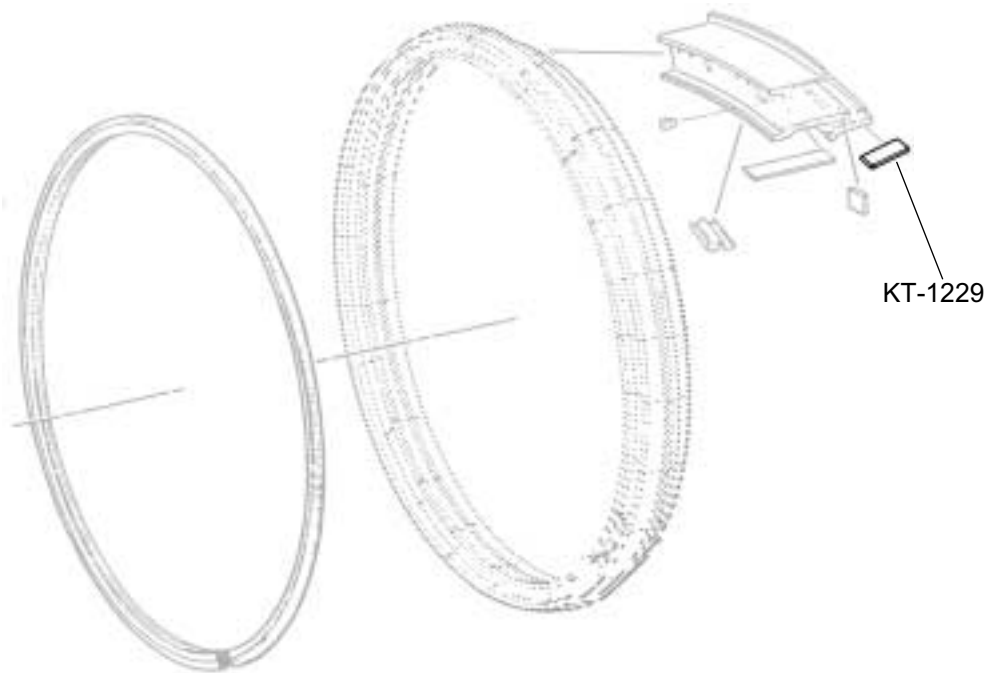
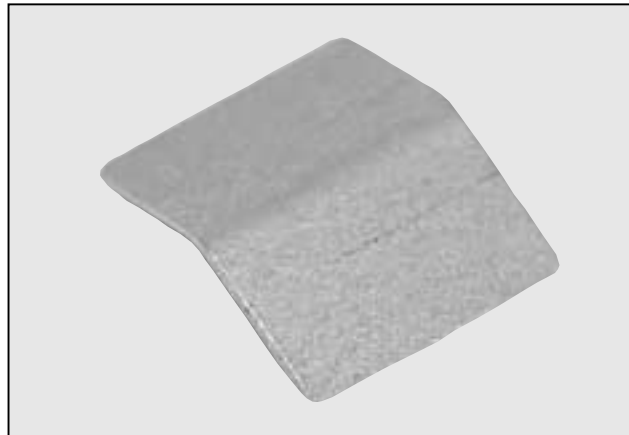
Turbine Kinetics Part Number KT-1229

Pratt & Whitney Part Number 50L289

Engine Eligibility:
[See FAA/PMA Supplement](#)

IPC Reference:
PW4000-72-52

Quantity Per Engine:
21



Engine Location:
High Pressure Turbine Group

