

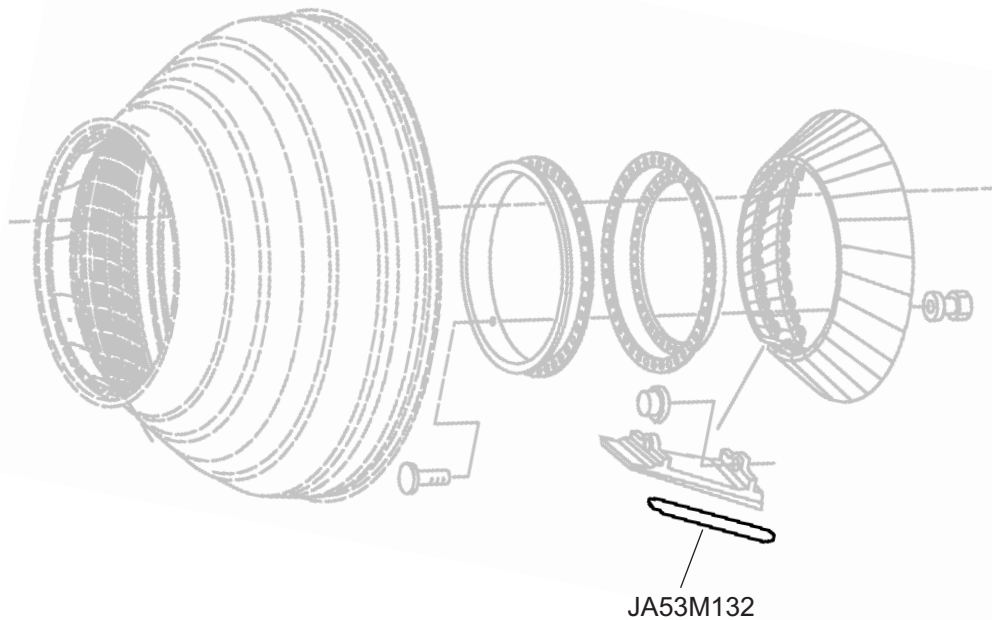
## SEAL - LPT DUCT, 3 STG

Jet Avion Part Number JA53M132  
Pratt & Whitney Part Number 53M132

**Engine Eligibility:**  
[See FAA-PMA Supplement Index](#)

**IPC Reference:**  
PW4000-72-53

**Quantity Per Engine:**  
34



**Location:**  
Rotor and Stator- LPT

