

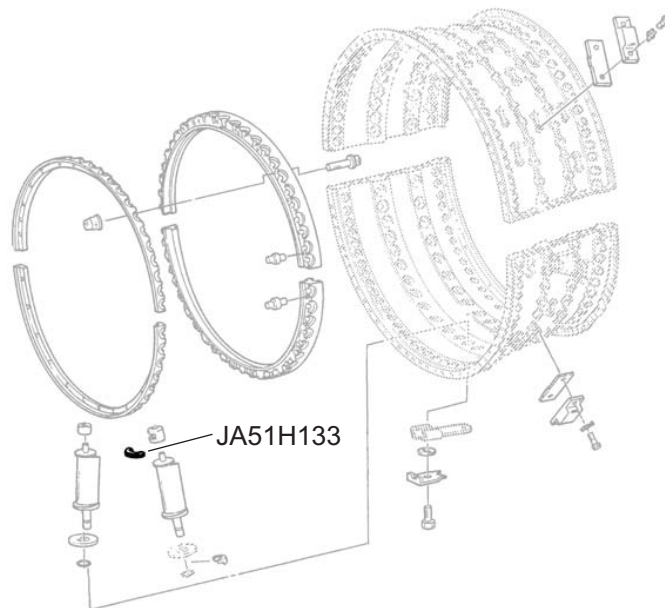
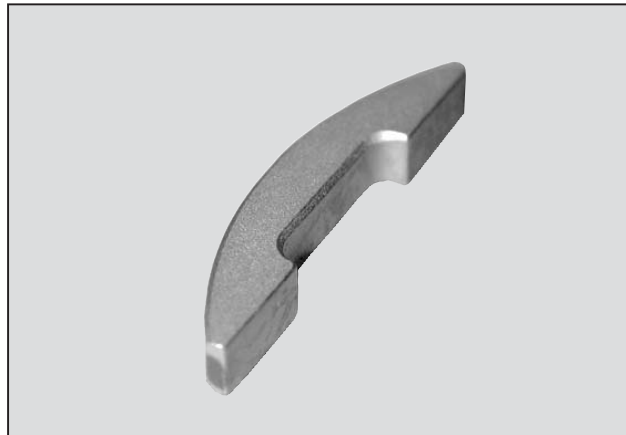
KEY - HPC INNER SHROUD

Jet Avion Part Number JA51H133
Pratt & Whitney Part Number 51H133

Model Eligibility:
See FAA/PMA Supplement

IPC Reference:
PW4000-72-35

Quantity Per Engine:
30



Engine Location:
Rear Compressor (HPC) Rotor
and Stator Group

