

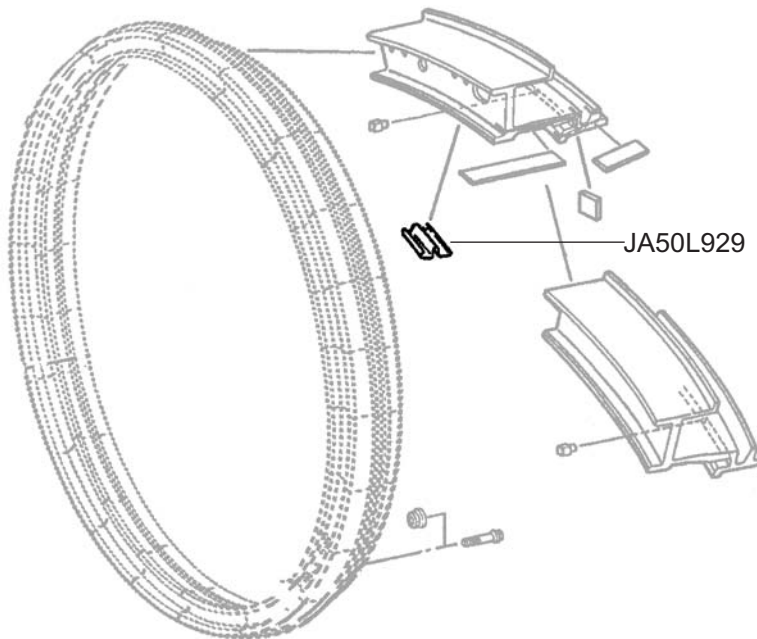
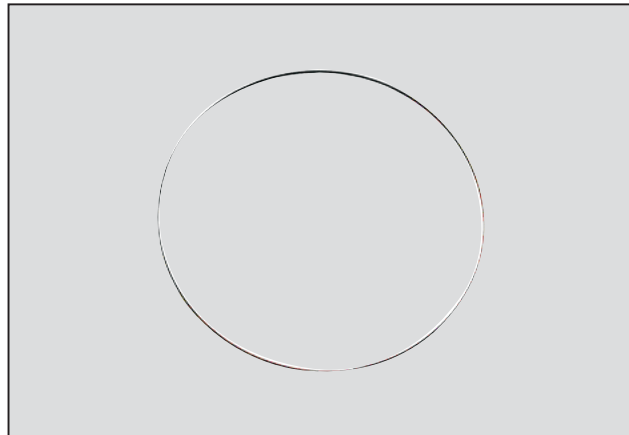
GASKET SPRING

Jet Avion Part Number JA50L929
Pratt & Whitney Part Number 50L929

Model Eligibility:
See FAA/PMA Supplement

IPC Reference:
PW4000-72-52

Quantity Per Engine:
1



Engine Location:
High Pressure Turbine Group

