

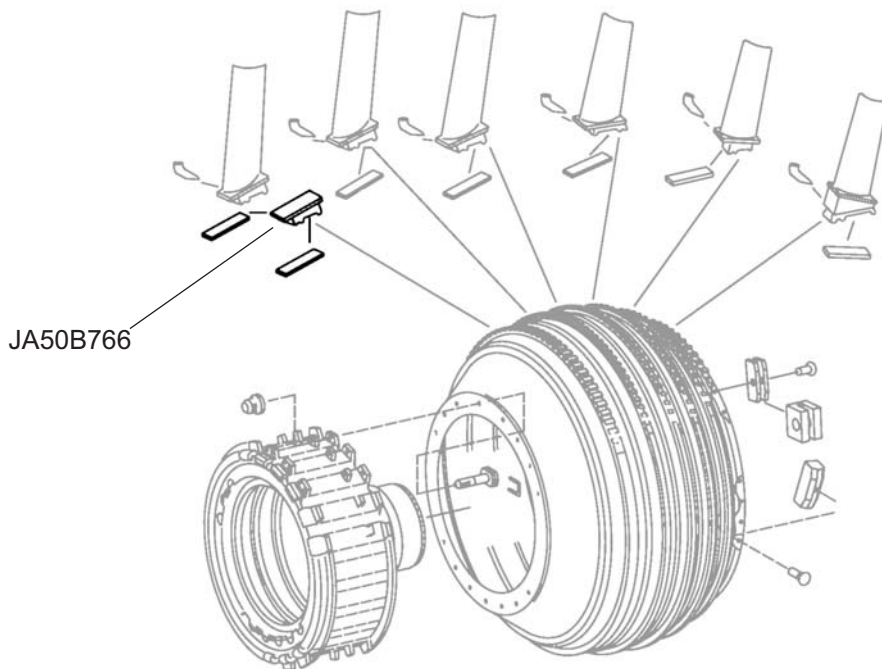
## INSERT-ASSY OF, LPC, 1.1 STG

Jet Avion Part Number JA50B766  
Pratt & Whitney Part Number 50B766

**Eligibility:**  
[See FAA-PMA Supplement](#)

**IPC Reference:**  
PW4000-72-31

**Quantity:**  
54



**Location:**  
Disk and Blades - Low Pressure Compressor

