

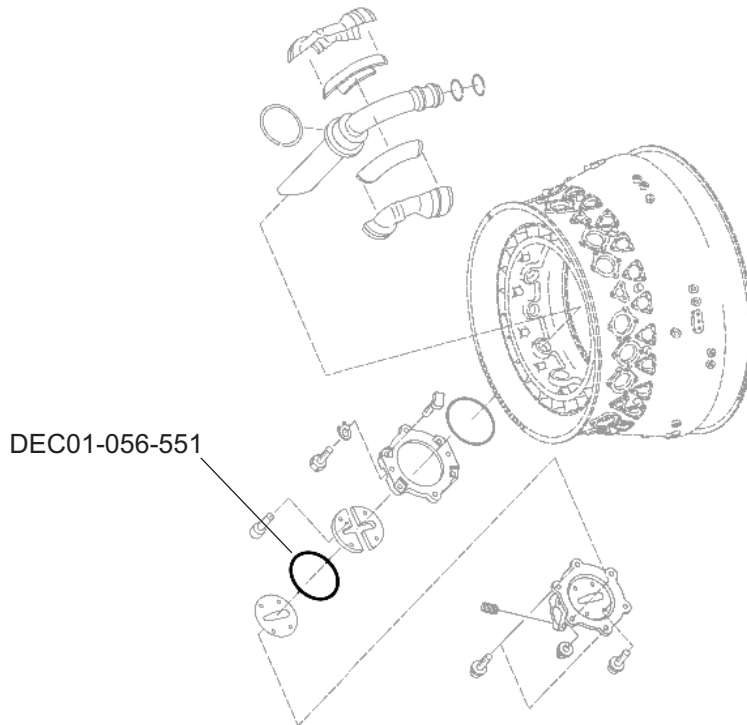
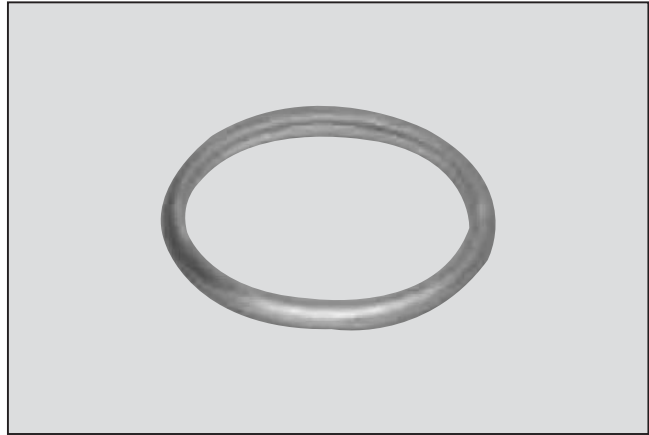
GASKET -.093 FREE HEIGHT

Turbine Kinetics Part Number DEC01-056-551
Pratt & Whitney Part Number ST1141-51

Eligibility:
[See FAA/PMA Supplement](#)

IPC Reference:
PW4000-72-41

Quantity:
1



Location:
Tube-Number Three Bearing Cooling

