

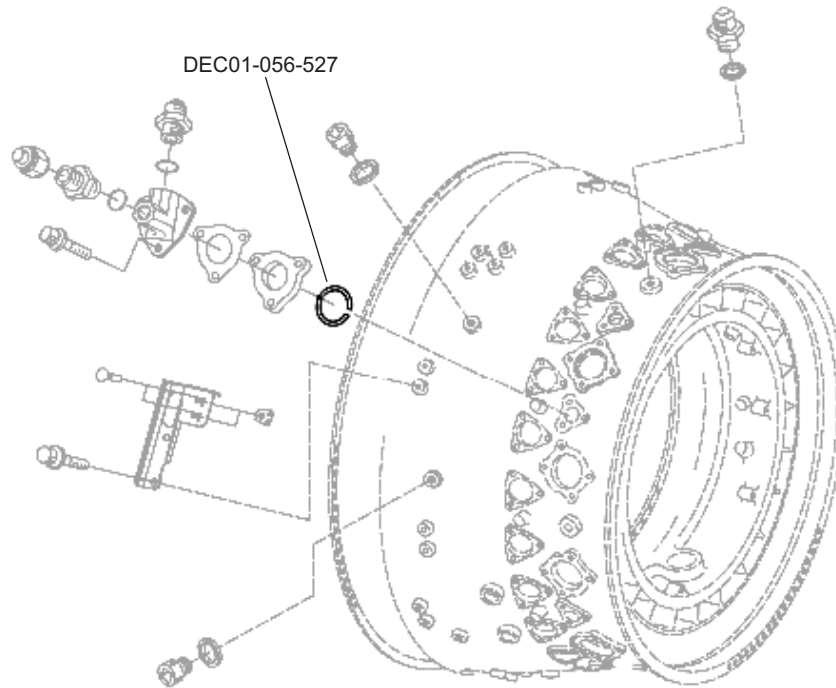
GASKET -.093 FREE HEIGHT

Turbine Kinetics Part Number DEC01-056-527
Pratt & Whitney Part Number ST1141-27

Eligibility:
[See FAA-PMA Supplement](#)

IPC Reference:
PW4000-72-41

Quantity:
1



Location:
Brackets and Fittings-Diffuser Case

