

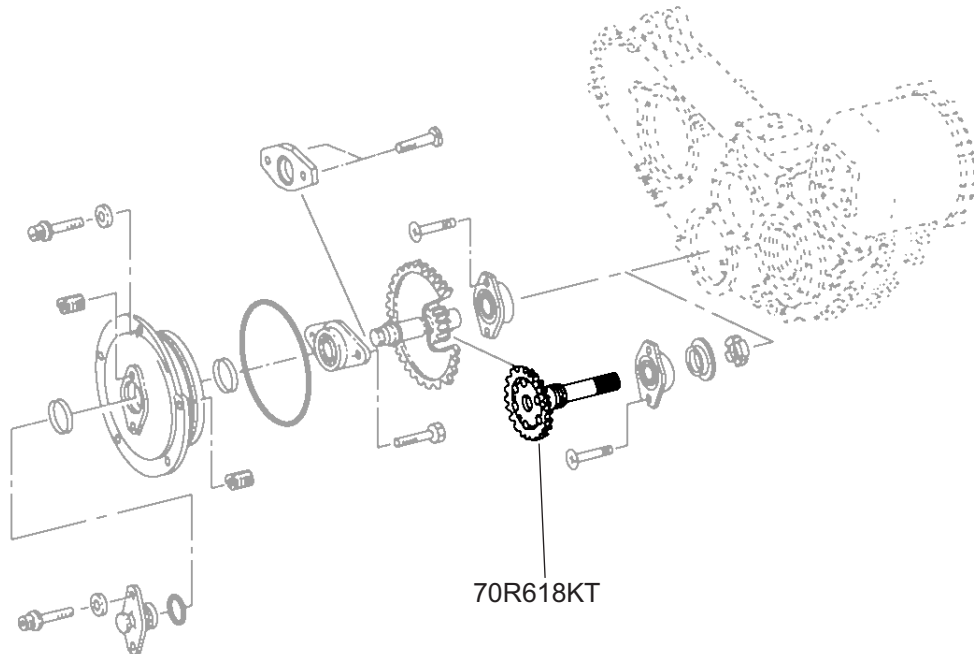
GEARSHAFT-SPUR,SCAV PUMP

Turbine Kinetics Part Number 70R618KT
Pratt & Whitney Part Number 70R618

Eligibility:
[See FAA-PMA Supplement](#)

IPC Reference:
PW4000-72-61

Quantity:
1



Location:
Drive-Oil Pump. Gearshaft-Manual Crank

