

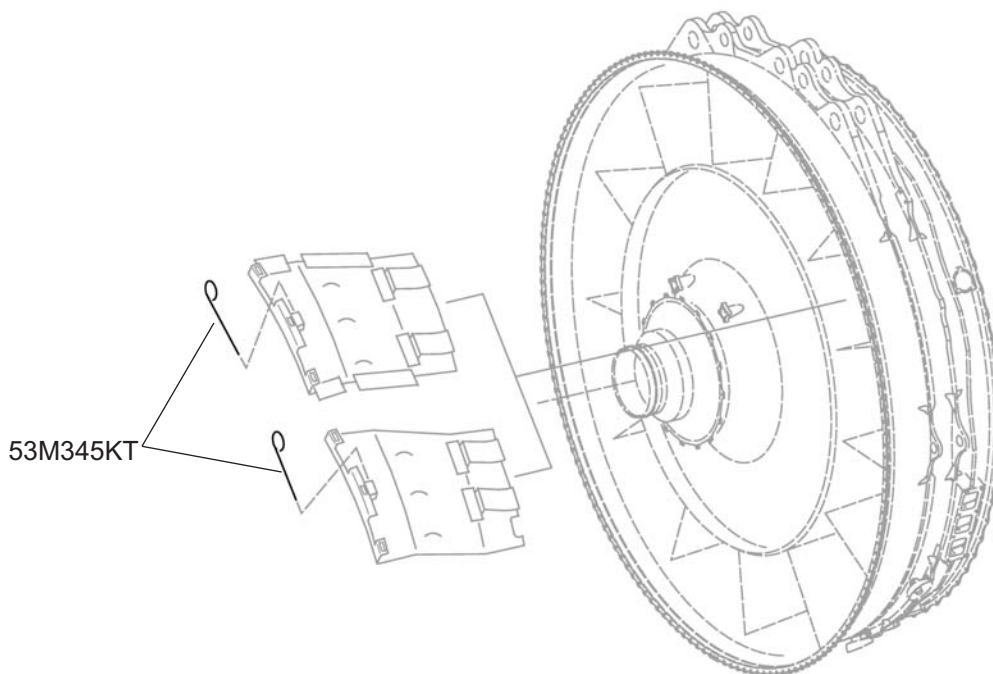
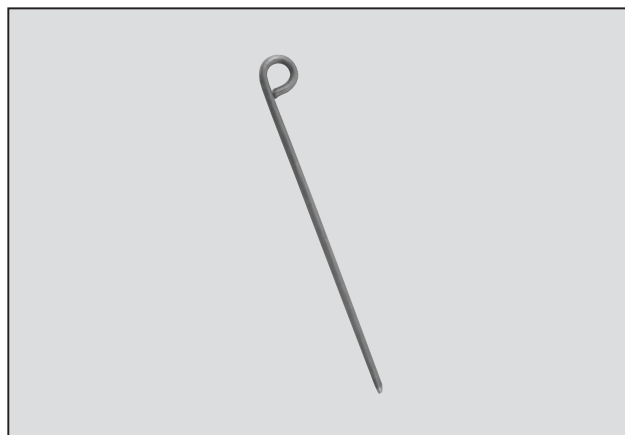
## WIRE-LOCKING

Turbine Kinetics Part Number 53M345KT  
Pratt & Whitney Part Number 53M345

**Eligibility:**  
[See FAA-PMA Supplement](#)

**IPC Reference:**  
PW4000-72-54

**Quantity:**  
26



**Location:**  
Case-Turbine Exhaust

