

# HEICO

## LUG-ANTI-ROTATION

**Turbine Kinetics Part Number: 53H419DEC**

**Pratt & Whitney Part Number: 53H419**

Next Higher Assembly Part Number: 58H988,55H716-01 - Case Assy of, HPC, 9 Stg

**Eligibility:**

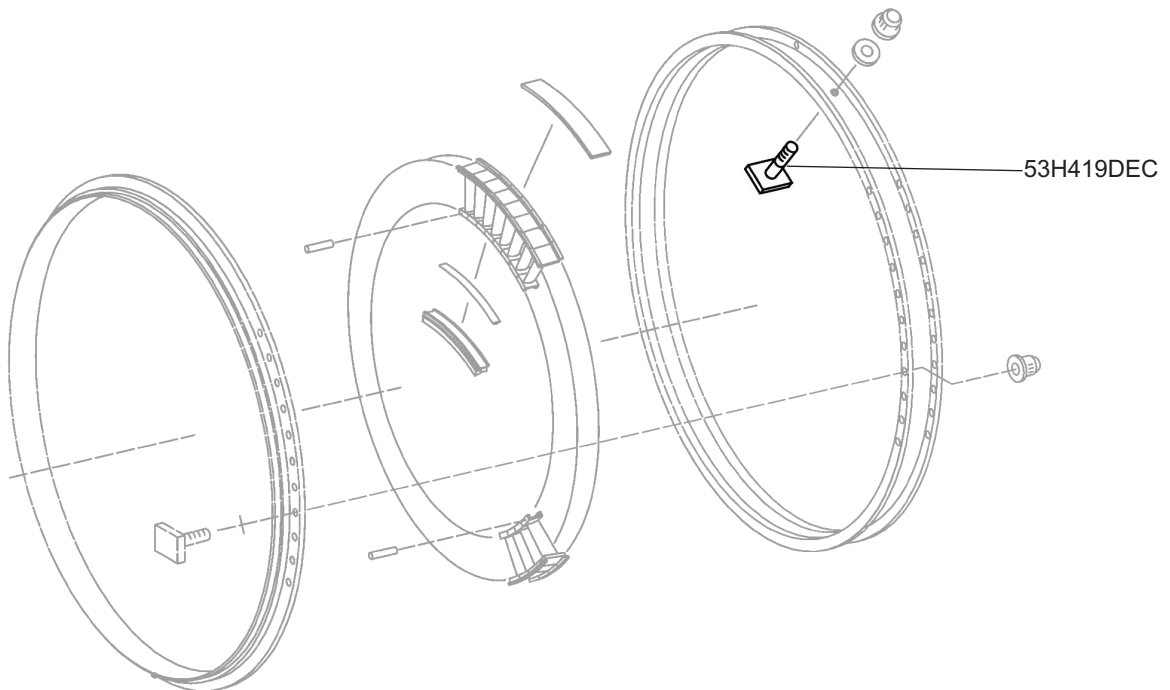
[See FAA PMA Supplement](#)

**IPC Reference:**

PW4000-72-35

**Quantity:**

85 per Engine



**Location:**

Vane Clusters - HPC

