

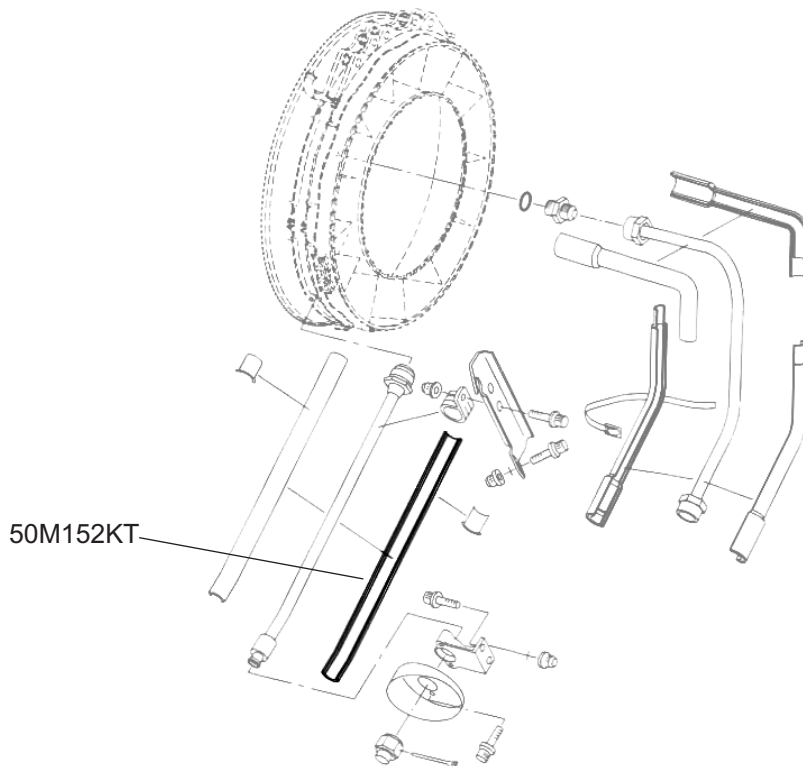
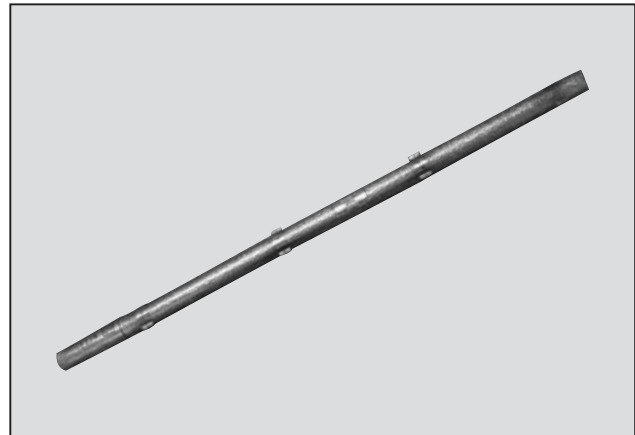
SHIELD-ASSY OF, HEAT, HALF

Turbine Kinetics Part Number 50M152KT
Pratt & Whitney Part Number 50M152

Eligibility:
[See FAA-PMA Supplement](#)

IPC Reference:
PW4000-72-54

Quantity:
2



Location:
Tube-Number Four Bearing Pressure

