

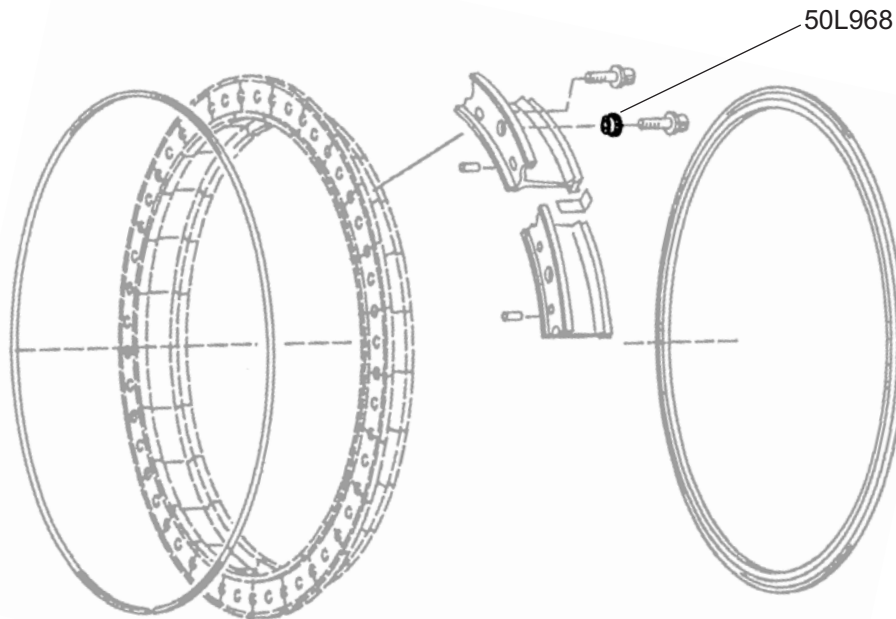
## SPACER-SLEEVE

Seal Dynamics Part Number 50L968SD  
Pratt & Whitney Part Number 50L968

**Eligibility:**  
[See FAA/PMA Supplement](#)

**IPC Reference:**  
PW4000-72-52

**Quantity:**  
25



**Location:**  
Case and Vane Assembly - Turbine

