

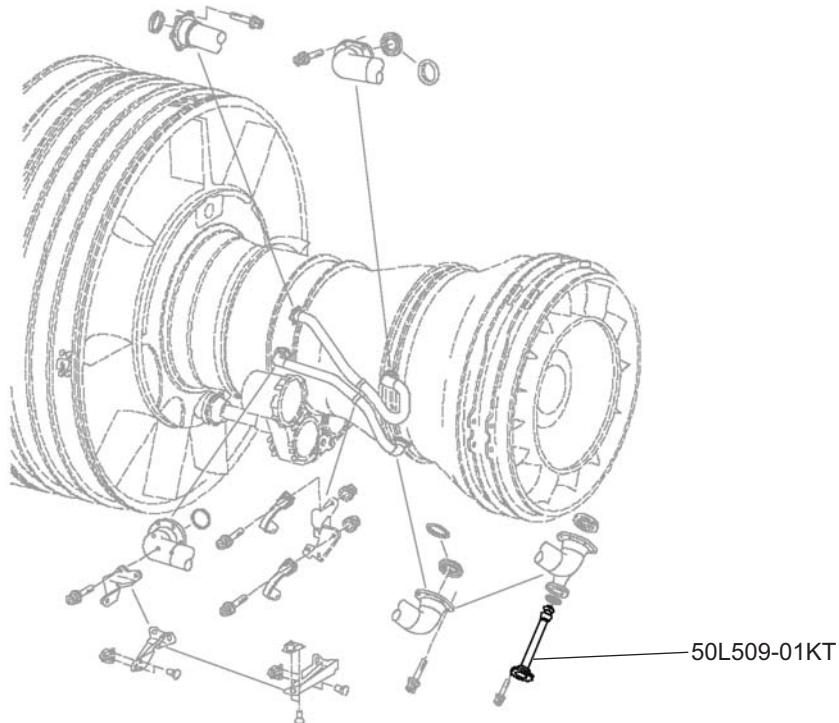
## PLUG-ASSY OF, BORESCOPE

Turbine Kinetics Part Number 50L509-01KT  
Pratt & Whitney Part Number 50L509-01

**Eligibility:**  
[See FAA-PMA Supplement](#)

**IPC Reference:**  
PW4000-75-24

**Quantity:**  
1



**Location:**  
Tubes-Turbine Cooling