

HEICO

NUT-SLFLKG, CLINCH

Turbine Kinetics Part Number: 50B814DEC

Pratt & Whitney Part Number: 50B814

Next Higher Assembly Part Number: 51B184-01, 50B923-01 - Support-Assy of, Damper Rod

Eligibility:

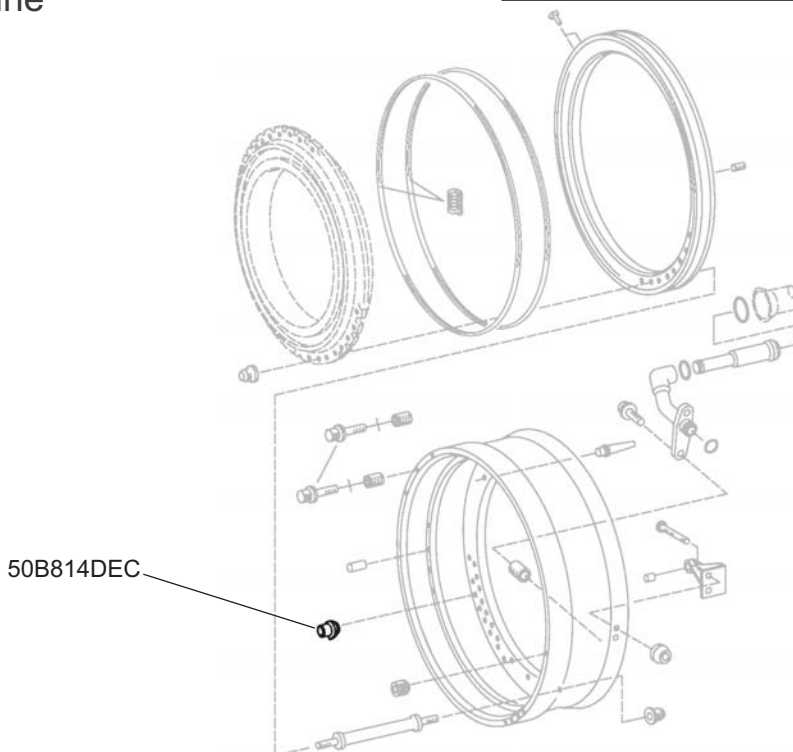
[See FAA PMA Supplement](#)

IPC Reference:

PW4000-72-31

Quantity:

68 per Engine



Location:

Housing Assembly-
Number One Bearing Damper.
Support Assembly-damper Rod

