

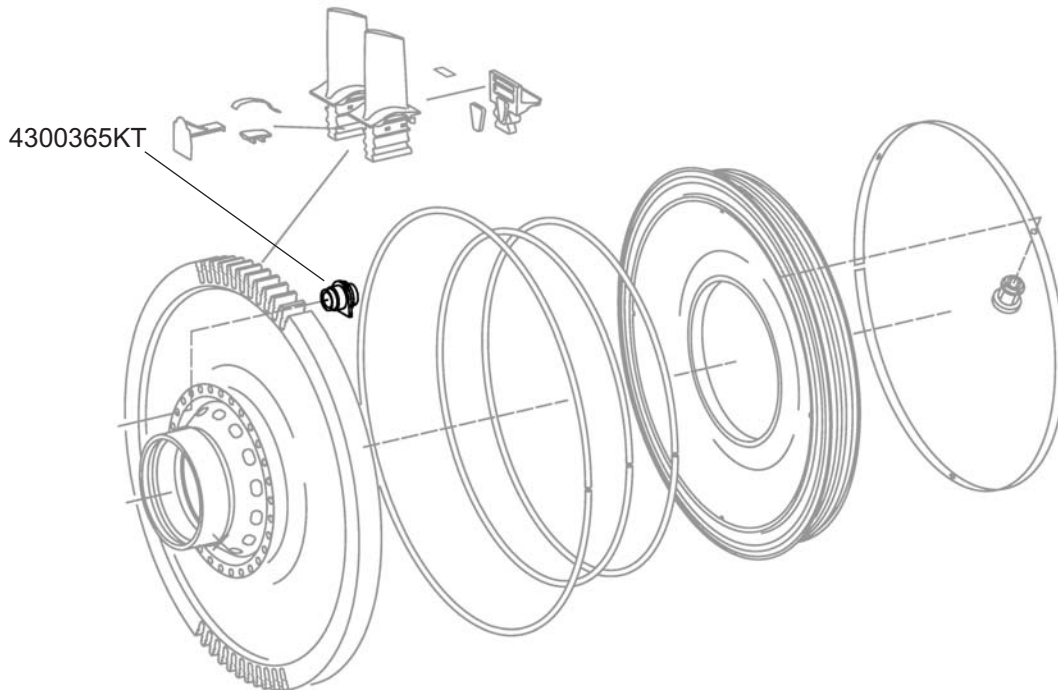
## NUT OPTION

Turbine Kinetics Part Number 4300365KT  
Pratt & Whitney Part Number 4300365

**Eligibility:**  
[See FAA-PMA Supplement](#)

**IPC Reference:**  
PW4000-72-52

**Quantity:**  
As required



**Location:**  
HPT Module, Turbine Rotor-First Stage,  
Air Seal-HPT, Second Stage

