

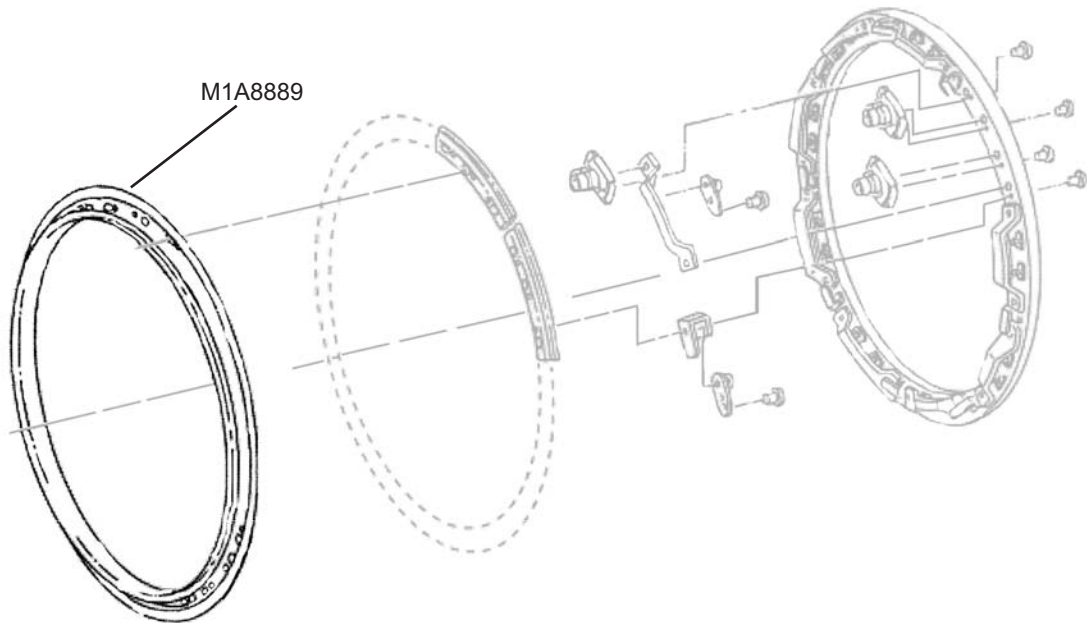
1st STAGE HPT SEAL

Jet Avion International Part Number M1A8889
Pratt & Whitney Part Number 1A8889

Engine Eligibility:
[See FAA/PMA Supplement](#)

IPC Reference:
PW2000-72-51

Quantity Per Engine:
1



Engine Location:
High Pressure Turbine Group

