

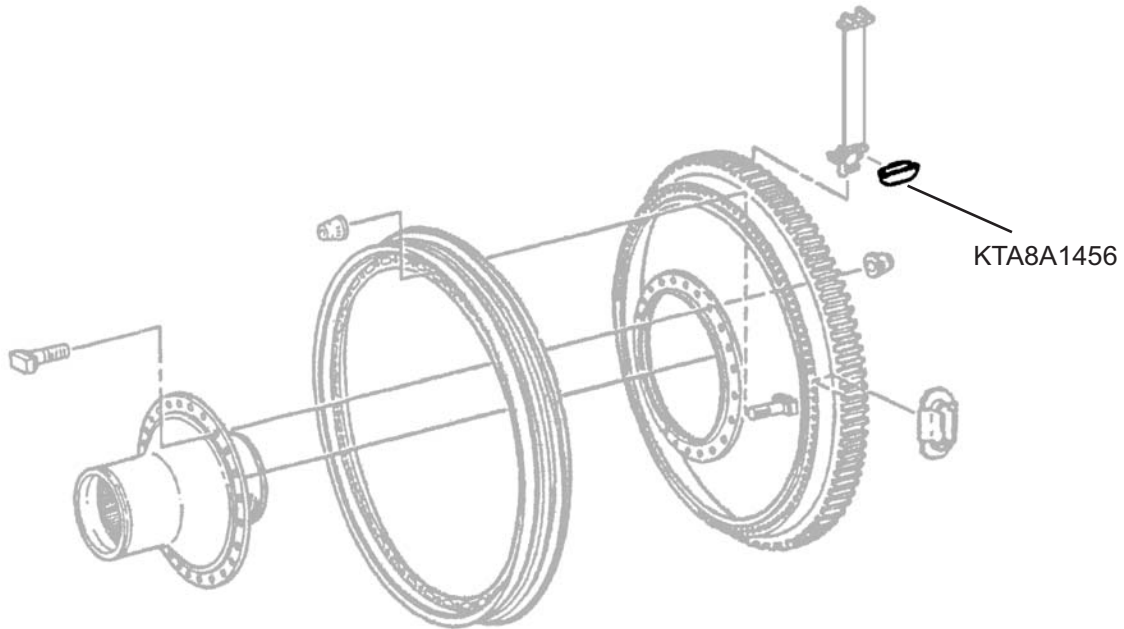
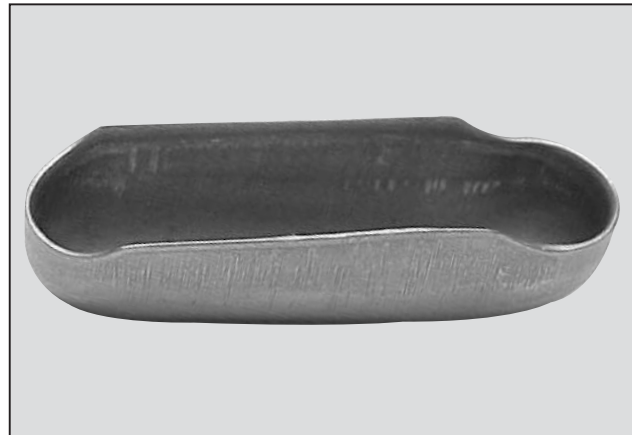
CAP, SEALING

Turbine Kinetics Part Number KTA8A1456
Pratt & Whitney Part Number A8A1456

Engine Eligibility:
[See FAA/PMA Supplement](#)

IPC Reference:
PW2000-72-53

Quantity Per Engine:
90



Engine Location:
Low Pressure Turbine Group

