

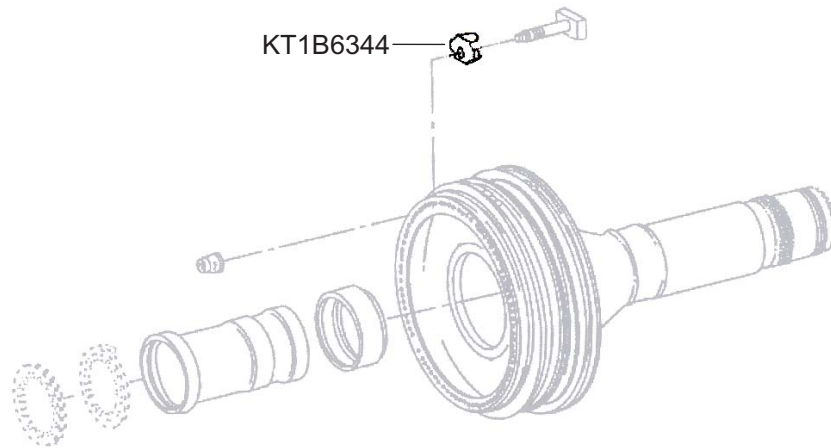
## CLIP

Turbine Kinetics Part Number KT1B6344  
Pratt & Whitney Part Number 1B6344

**Model Eligibility:**  
See FAA/PMA Supplement

**IPC Reference:**  
PW2000-72-35

**Quantity Per Engine:**  
43 to 60



**Engine Location:**  
Rear Compressor (HTP)  
Rotor and Stator Group

