

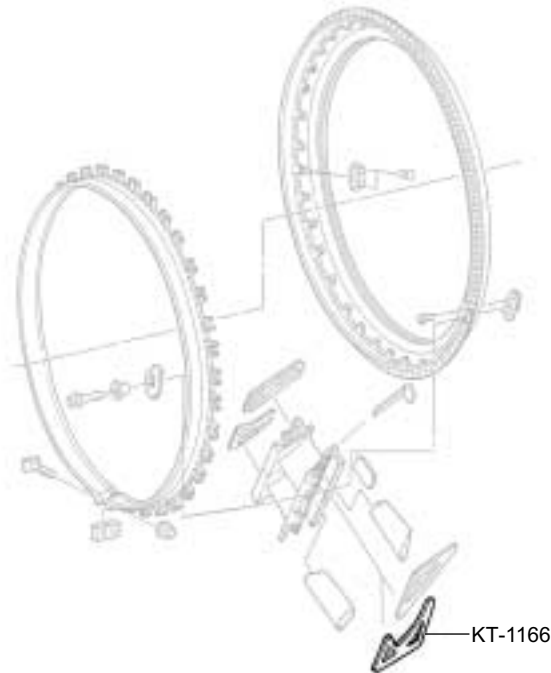
## COVER PLATE NGV, OUTER

Turbine Kinetics Part Number KT-1166  
Pratt & Whitney Part Number 1B3547

**Engine Eligibility:**  
[See FAA/PMA Supplement](#)

**IPC Reference:**  
PW2000-72-51

**Quantity Per Engine:**  
36



**Engine Location:**  
Turbine Nozzle Group

