

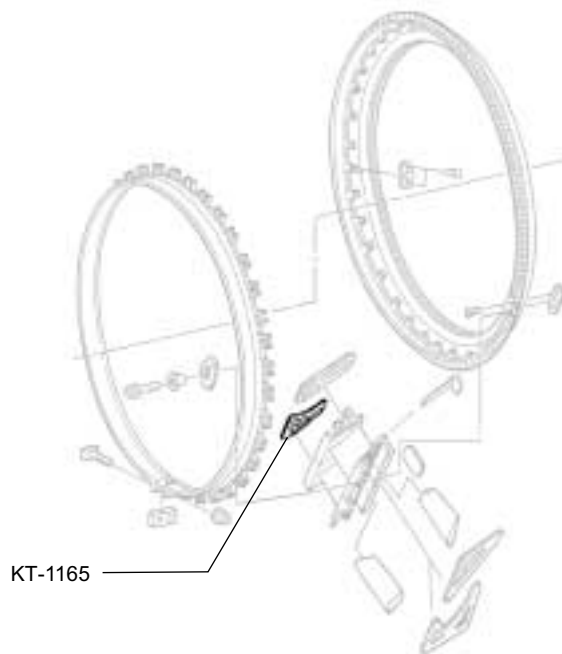
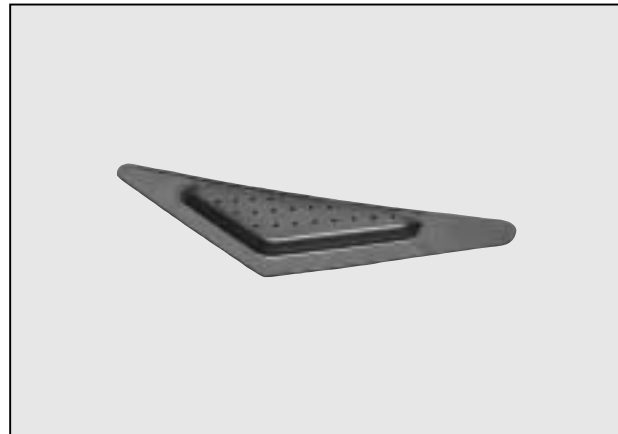
COVER PLATE NGV, INNER

Turbine Kinetics Part Number KT-1165
Pratt & Whitney Part Number 1B3549

Engine Eligibility:
[See FAA/PMA Supplement](#)

IPC Reference:
PW2000-72-51

Quantity Per Engine:
36



Engine Location:
Turbine Nozzle Group

