

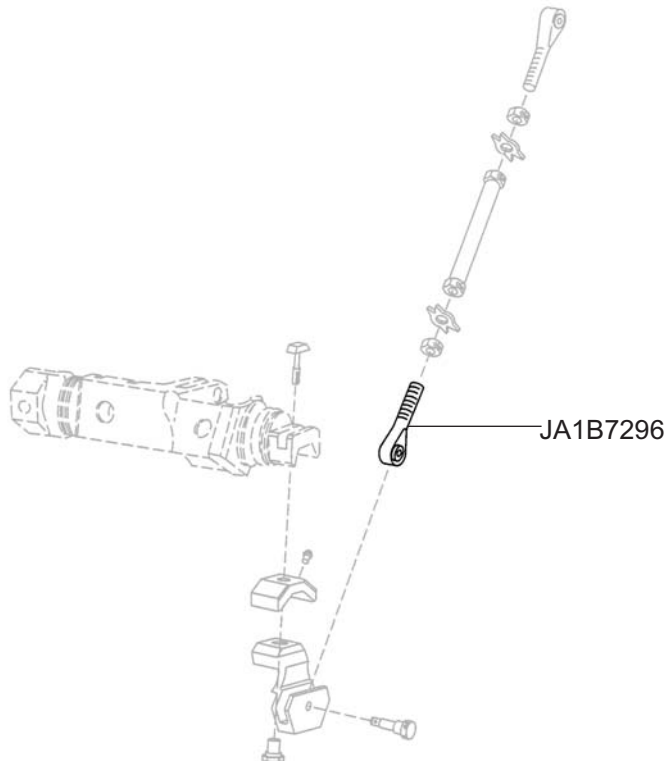
BEARING OPTION

Jet Avion Part Number JA1B7296
Pratt & Whitney Part Number 1B7296

Engine Eligibility:
[See FAA/PMA Supplement](#)

IPC Reference:
PW2000-72-35
PW4000-72-35
JT9D-72-35

Quantity Per Engine:
PW4000: 4
PW2000: 5
JT9D: 4



Engine Location:
Rear Compressor (HPC) Rotor
and Stator Group

