

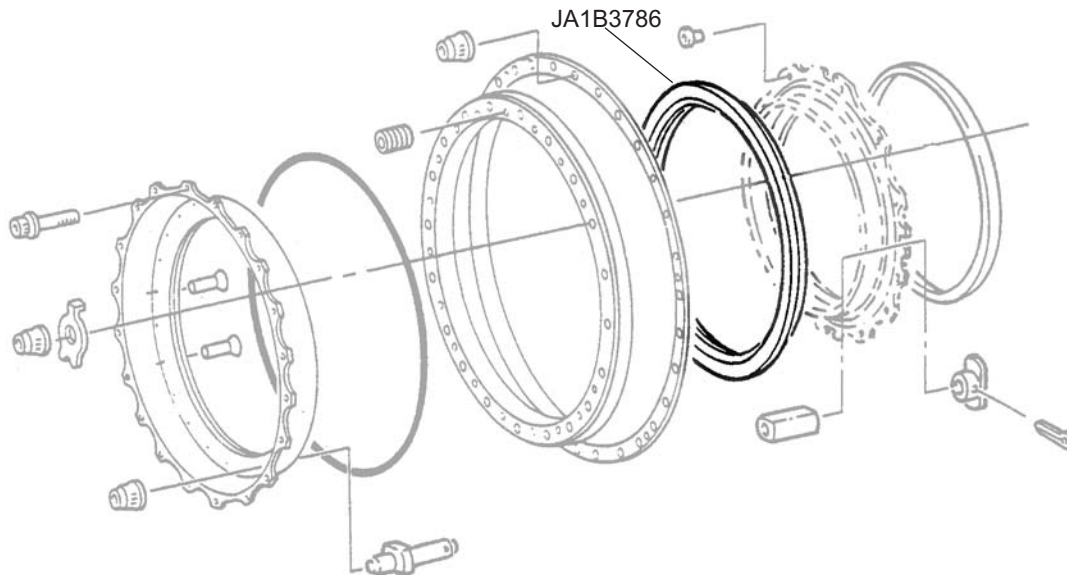
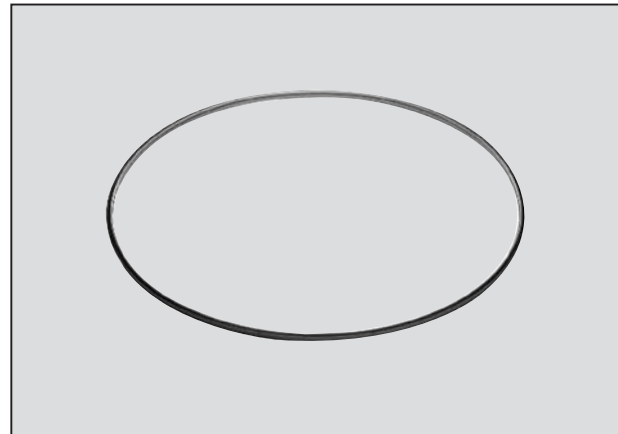
## SEAL-PLAIN

Jet Avion Part Number JA1B3786  
Pratt & Whitney Part Number 1B3786

**Model Eligibility:**  
See FAA/PMA Supplement

**IPC Reference:**  
PW2000-72-32

**Quantity Per Engine:**  
1



**Engine Location:**  
Low Pressure Compressor /  
Turbine Coupling Group

