

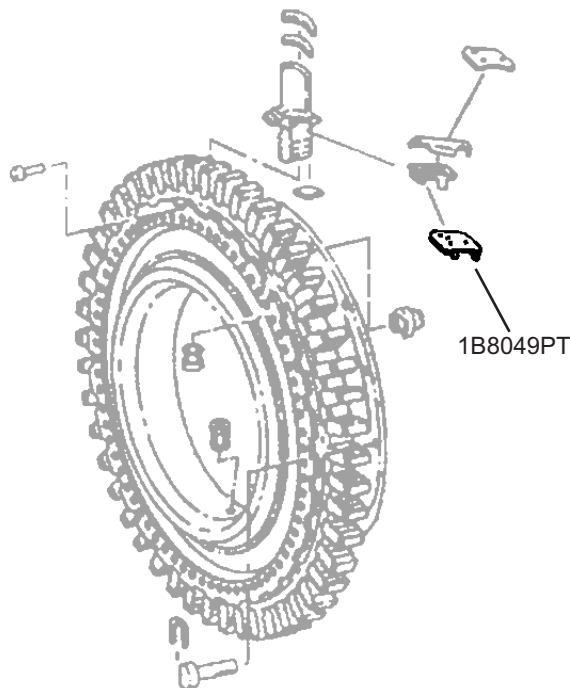
## HPT 1ST STAGE DAMPER

Arger Part Number 1B8049PT  
Pratt & Whitney Part Number 1B8049

**Eligibility:**  
[See FAA/PMA Supplement](#)

**IPC Reference:**  
PW2000-72-52

**Quantity Per Engine:**  
48



**Location:**  
Rotor - High Pressure Turbine

