

HEICO

BOLT MACH

Turbine Kinetics Part Number: 1A4135KT

Pratt & Whitney Part Number: 1A4135

Next Higher Assembly Part Number: 1B0673, 1B7244, 1B7433, 1B7516 (Support-Assy Of, HPT, 1STG)
B72444001, SBE0029-01 (Engine-Stage 1 HPT Outer Seal Assembly)

Eligibility:

[See FAA PMA Supplement](#)

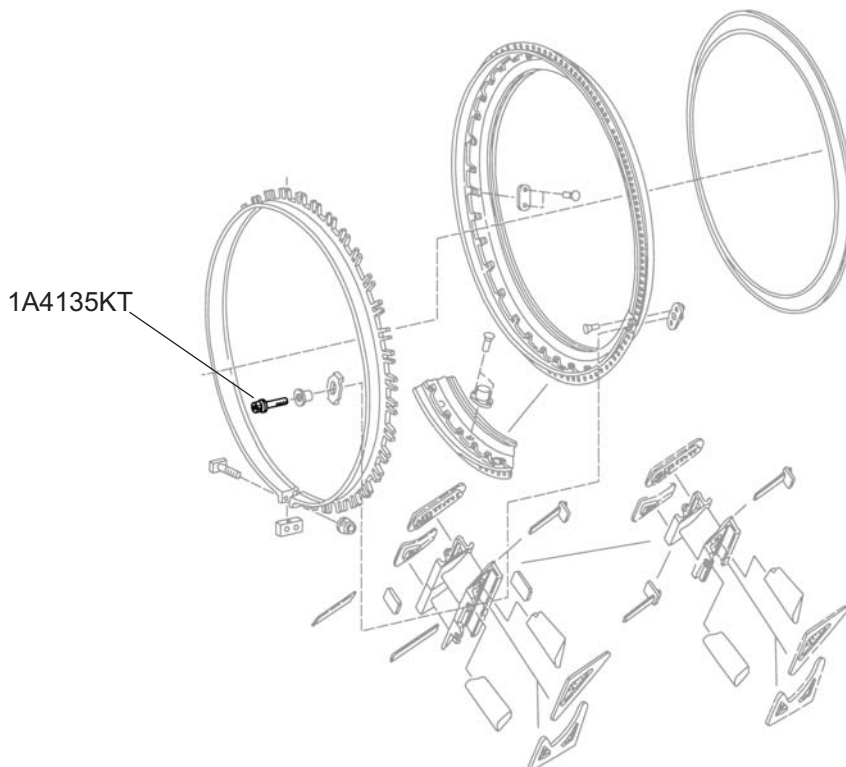
IPC Reference:

PW2000-72-51

V2500-72-40, V2500-72-44

Quantity:

From 36 to 39



Location:

Vanes and Support - HPT

