

BOLT

Turbine Kinetics Part Number KTST1315-14
Pratt & Whitney Part Part Number ST1315-14

Engine Eligibility:

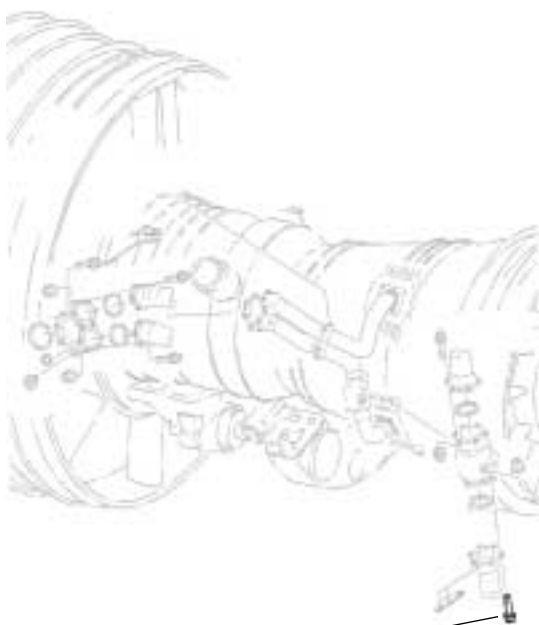
[See FAA/PMA Supplement Index](#)

IPC Reference:

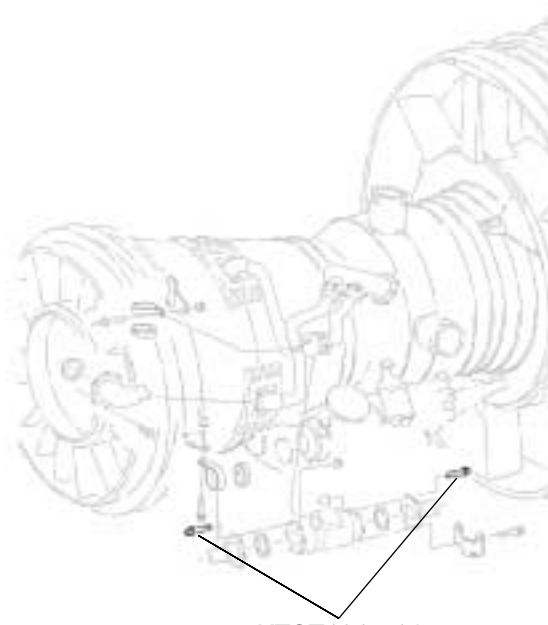
JT9D-75-20

Quantity Per Engine:

6-18



KTST1315-14



KTST1315-14

Engine Location:

13th Stage Bleed Air

